

CONTROLLED COPY

DESCRIPTION	POWDER COAT -COLOUR (50-60 microns)
Front Door	Graphite Grey - RAL-7016 (FINE TEXTURE)
All Individual components	Light Grey RWL-7035 - (STR)

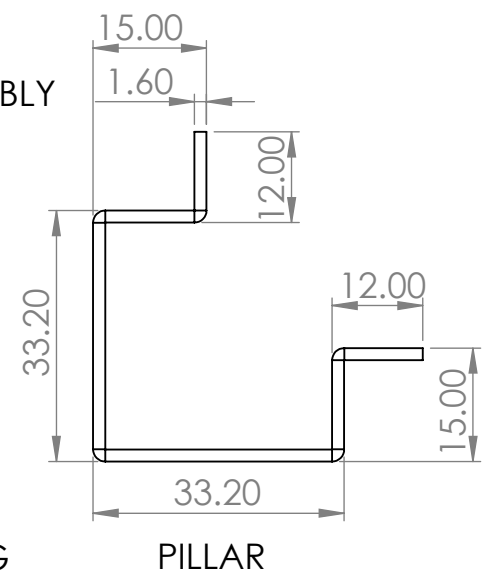
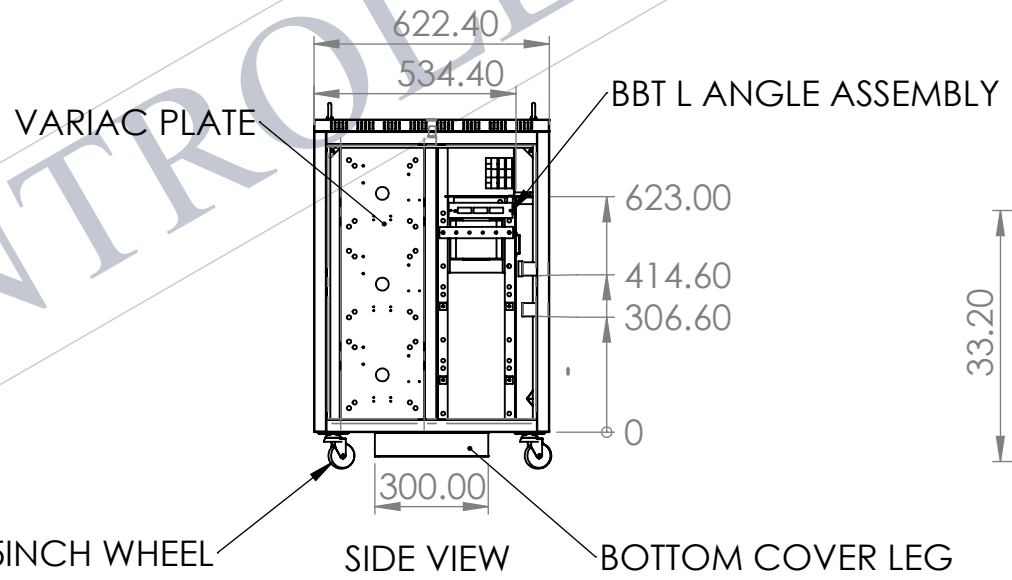
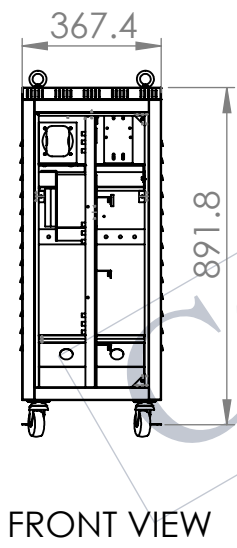
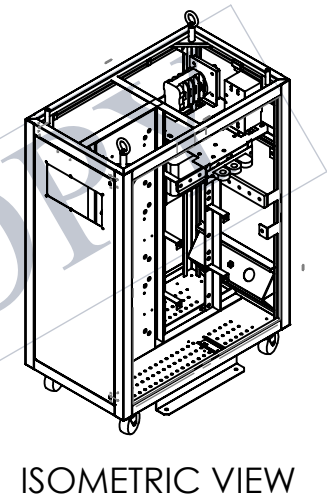
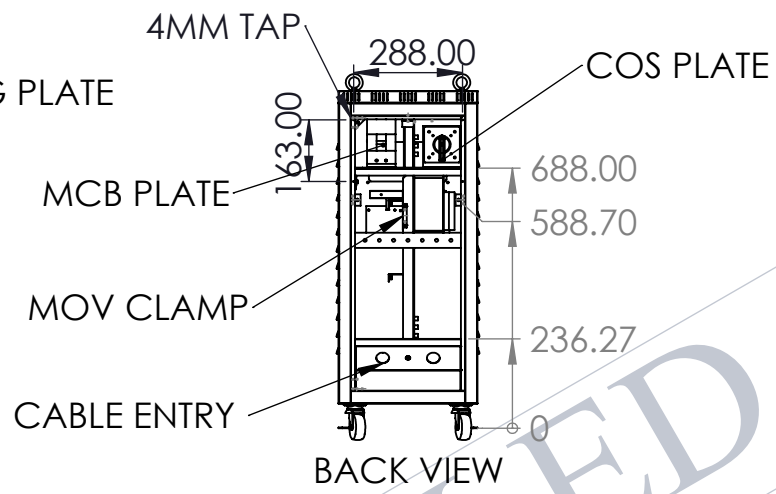
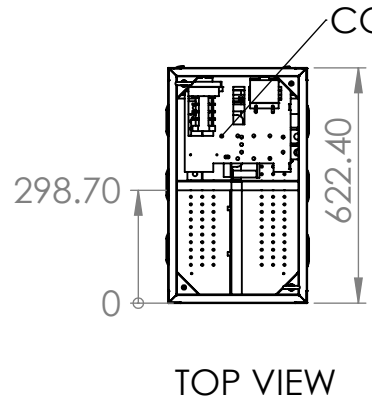
OVER ALL DIMENSIONS	
HEIGHT	965
WIDTH	370
LENGTH	630

Note:
2.5" ROTATING WHEELS - 4 Nos.
M10 MS EYE BOLT - 2Nos

NOTE:
ALL DIMENSIONS ARE IN MM UNLESS OTHERWISE SPECIFIED
ALL SHARP CORNERS TO BE ROUNDED OFF
ALL SURFACE SHALL BE SMOOTH & NOT HAVE ANY SCRACHES
NO ASSUMPTIONS ALLOWED

TITLE: RACK 23A AU		PART NO: RTRA0023CNAA	
DRAWING NO: 24AUID23STDXXCR1		PAGE NO	1/12
MATERIAL: CRCA		00	05.06.2024
DRAWN	VIJAY.N	REVISION	DATE
CHK'D	ARUL.P	BRIEF	
APPVD	SUDHIR.K	±5	
POWDER COATING 50-80 MICRONS		TOLERANCE UNLESS OTHERWISE STATED	HOLES: ±0.2 ANGLES: ±0.5





NOTE:

ALL DIMENSIONS ARE IN MM UNLESS OTHERWISE SPECIFIED

ALL SHARP CORNERS TO BE ROUNDED OFF

ALL SURFACE SHALL BE SMOOTH & NOT HAVE ANY SCRACHES

NO ASSUMPTIONS ALLOWED

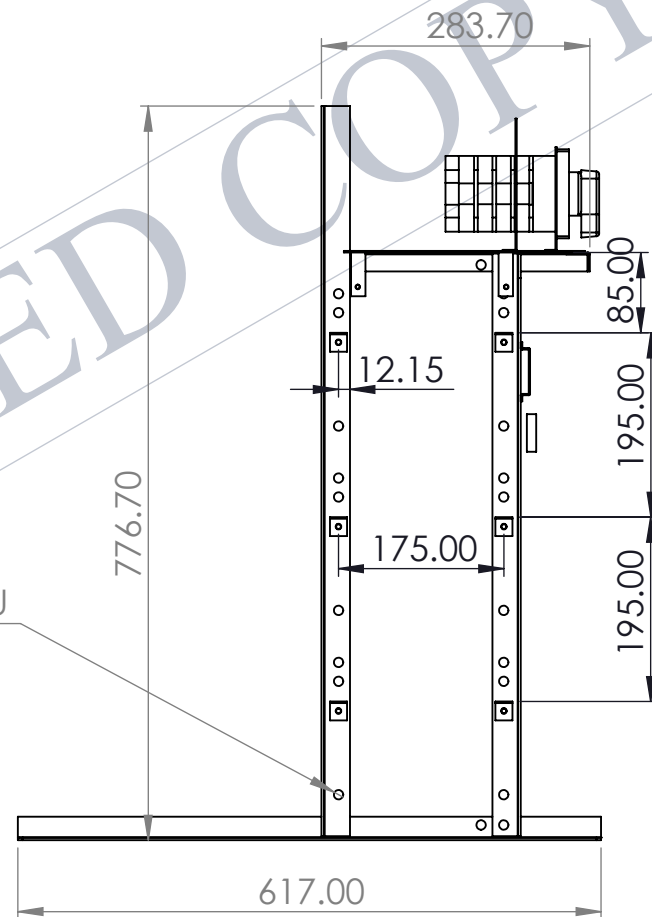
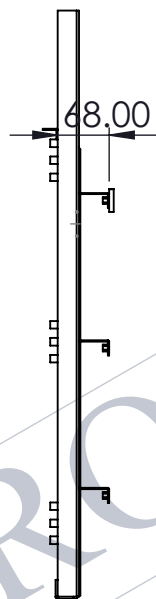
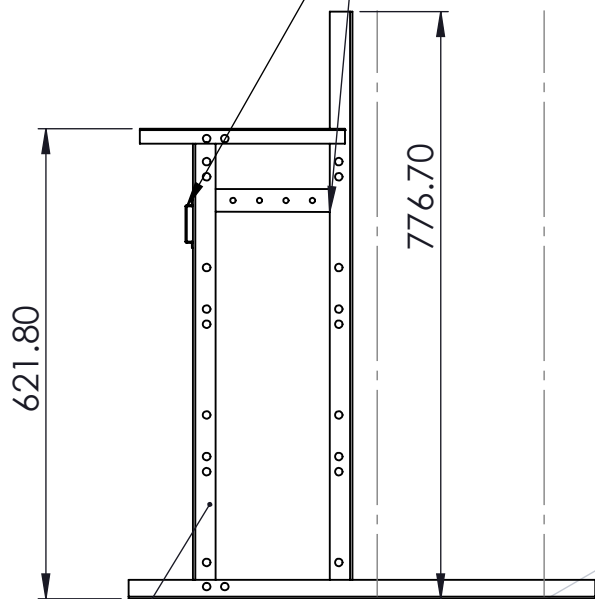
TITLE: RACK 23A AU		PART NO: RTRA0023CNAA	
DRAWING NO: 24AUID23STDXXCR1		PAGE NO: 2/12	
MATERIAL: CRCA		00	05.06.2024
DRAWN: VIJAY.N		REVISION	DATE
CHK'D: ARUL.P		BRIEF	
APPVD: SUDHIR.K		±5	
POWDER COATING 50-80 MICRONS		HOLES: ±0.2	
		ANGLES: ±0.5	



BBT L ANGLE ASSEMBLY

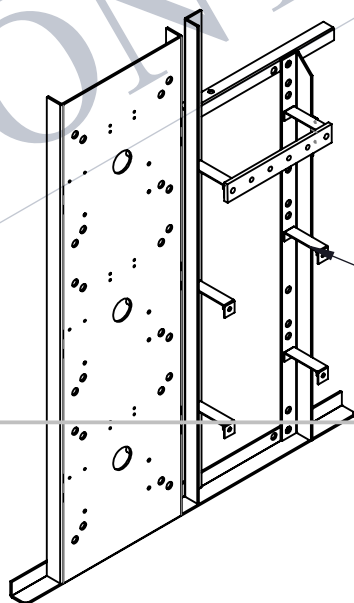
MOV FIXING CLAMP

FIXING CLAMP



Ø 10.00 THRU

REMOVEABLE CLAMP



BBT TERMINAL CLAMP
TO BE WELDED X 6NOS

NOTE:

ALL DIMENSIONS ARE IN MM UNLESS OTHERWISE SPECIFIED
ALL SHARP CORNERS TO BE ROUNDED OFF
ALL SURFACE SHALL BE SMOOTH & NOT HAVE ANY SCRACHES
NO ASSUMPTIONS ALLOWED

TITLE: RACK 23A AU

DRAWING NO: 24AUID23STDXXCR1

PART NO: RTRA0023CNAA

MATERIAL: CRCA

PAGE NO

3/12

DRAWN

VIJAY.N

00

05.06.2024

FIRST ISSUE

CHK'D

ARUL.P

REVISION

DATE

BRIEF

APPVD

SUDHIR.K

TOLERANCE UNLESS OTHERWISE STATED

±5

HOLES: ±0.2

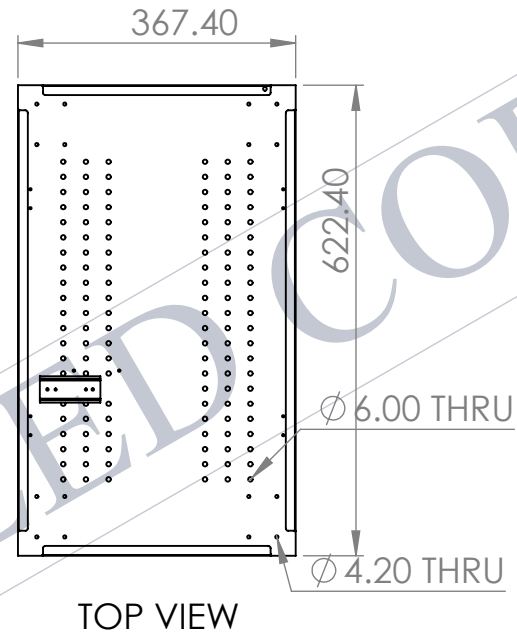
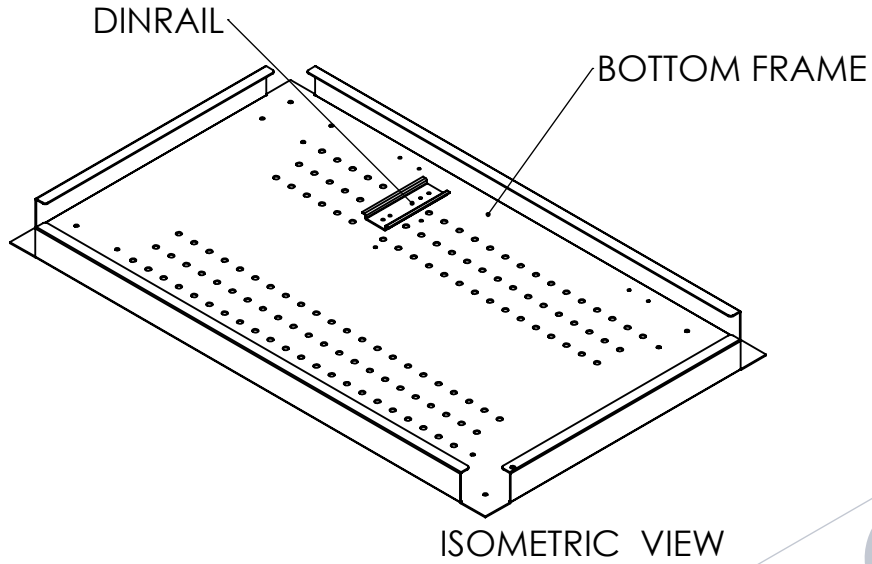
ANGLES: ±0.5

POWDER COATING 50-80 MICRONS

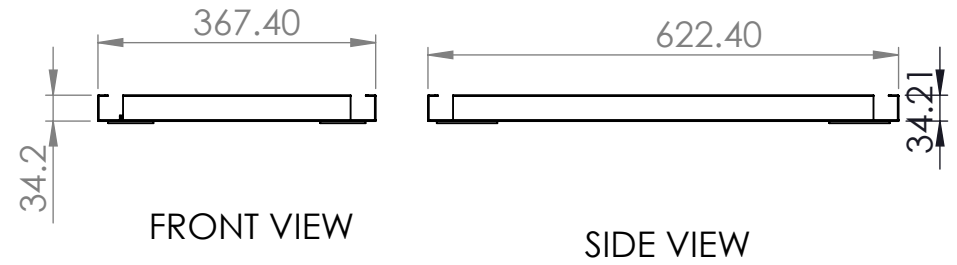
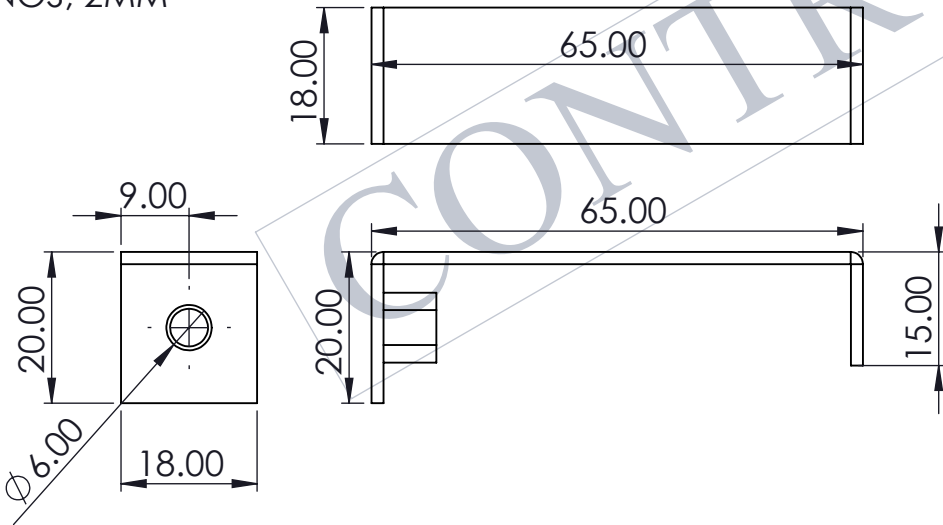
atandra
measure. protect. consume

KEYCARD

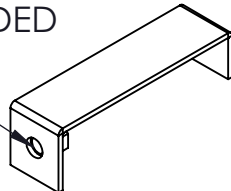
BOTTOM FRAME ASSEMBLY



BBT TERMINAL CLAMP - 6NOS, 2MM



5MM NUT TO BE WELDED ON BACK SIDE

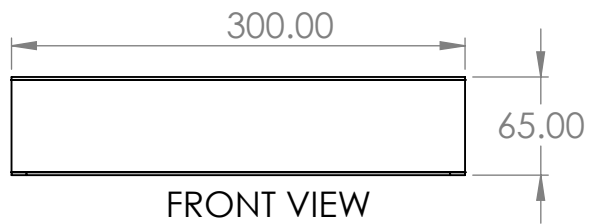


NOTE:

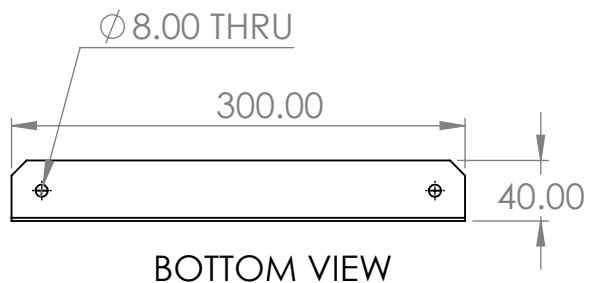
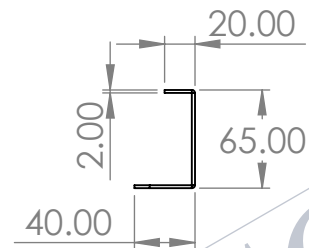
- ALL DIMENSIONS ARE IN MM UNLESS OTHERWISE SPECIFIED
- ALL SHARP CORNERS TO BE ROUNDED OFF
- ALL SURFACE SHALL BE SMOOTH & NOT HAVE ANY SCRACHES
- NO ASSUMPTIONS ALLOWED

TITLE: RACK 23A AU		PART NO: RTRA0023CNAA	
DRAWING NO: 24AUID23STDXXCR1		PAGE NO: 00	4/12
MATERIAL: CRCA	VIJAY.N	05.06.2024	FIRST ISSUE
CHK'D: ARUL.P	SUDHIR.K	REVISION	DATE
APPVD		BRIEF	
POWDER COATING 50-80 MICRONS		±5	
		TOLERANCE UNLESS OTHERWISE STATED	
		HOLES: ±0.2	
		ANGLES: ±0.5	



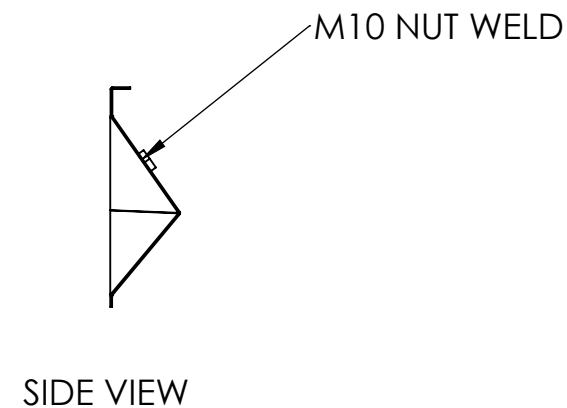
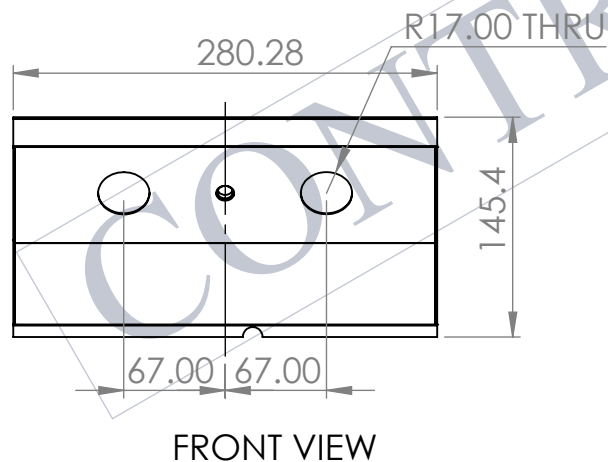


PACKING CLAMP



QTY:2

CABLE ENTRY SHEET THICKNESS :1.2mm



NOTE:

ALL DIMENSIONS ARE IN MM UNLESS OTHERWISE SPECIFIED
 ALL SHARP CORNERS TO BE ROUNDED OFF
 ALL SURFACE SHALL BE SMOOTH & NOT HAVE ANY SCRACHES
 NO ASSUMPTIONS ALLOWED

TITLE: RACK 23A AU

DRAWING NO: 24AUID23STDXXCR1

PART NO: RTRA0023CNAA

MATERIAL: CRCA

PAGE NO

5/12

DRAWN

VIJAY.N

00 05.06.2024

FIRST ISSUE

CHK'D

ARUL.P

REVISION

DATE

BRIEF

APPVD

SUDHIR.K

TOLERANCE UNLESS OTHERWISE STATED

±5

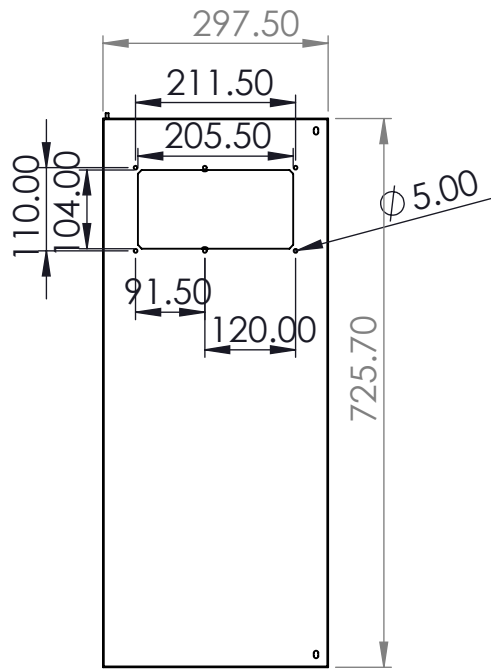
HOLES: ±0.2

ANGLES: ±0.5

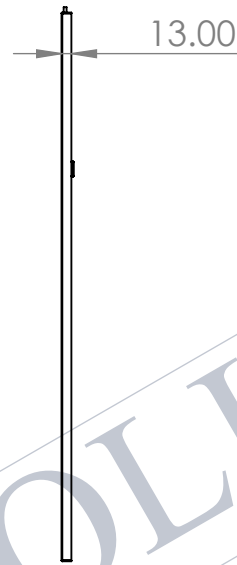
POWDER COATING 50-80 MICRONS



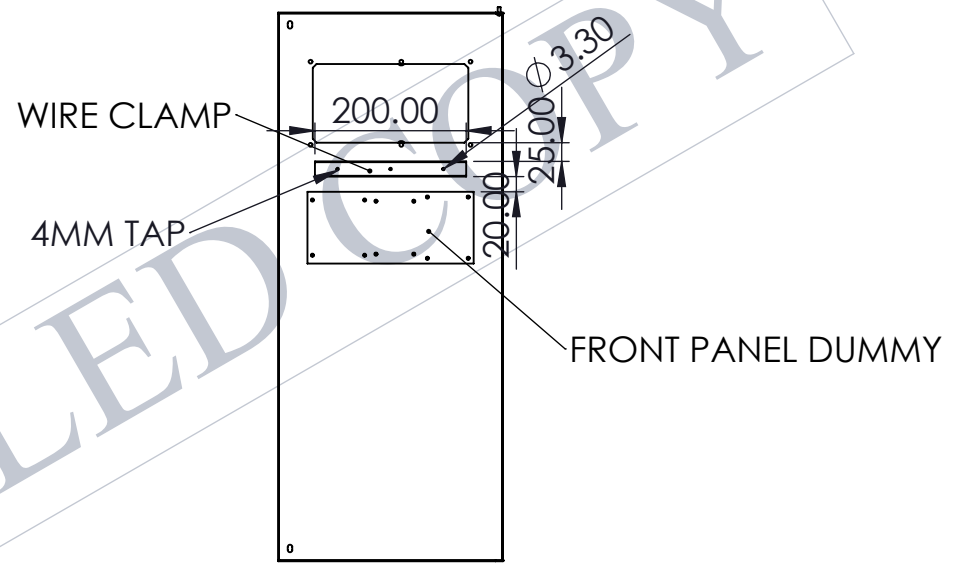
FRONT PANEL ASSEMBLY SHEET THICKNESS:1mm



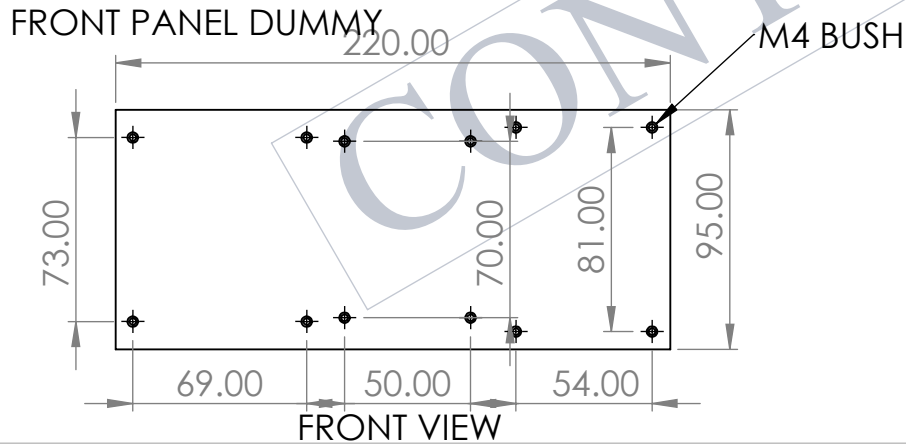
FRONT VIEW



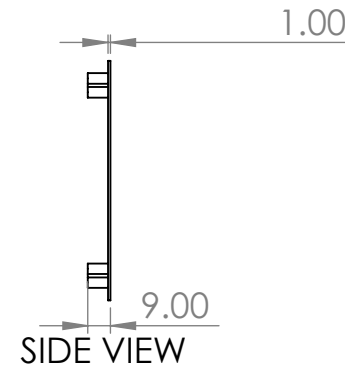
SIDE VIEW



BACK VIEW



FRONT VIEW



SIDE VIEW

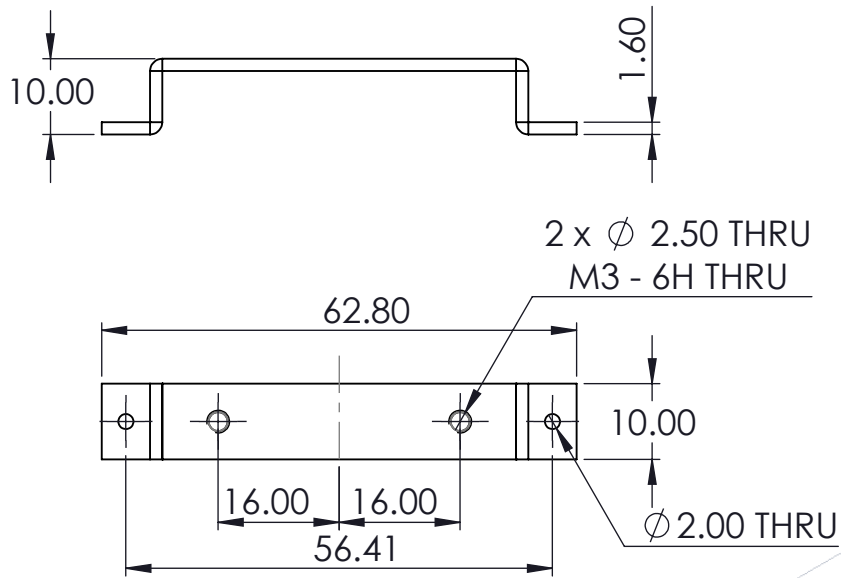
NOTE:

ALL DIMENSIONS ARE IN MM UNLESS OTHERWISE SPECIFIED
 ALL SHARP CORNERS TO BE ROUNDED OFF
 ALL SURFACE SHALL BE SMOOTH & NOT HAVE ANY SCRACHES
 NO ASSUMPTIONS ALLOWED

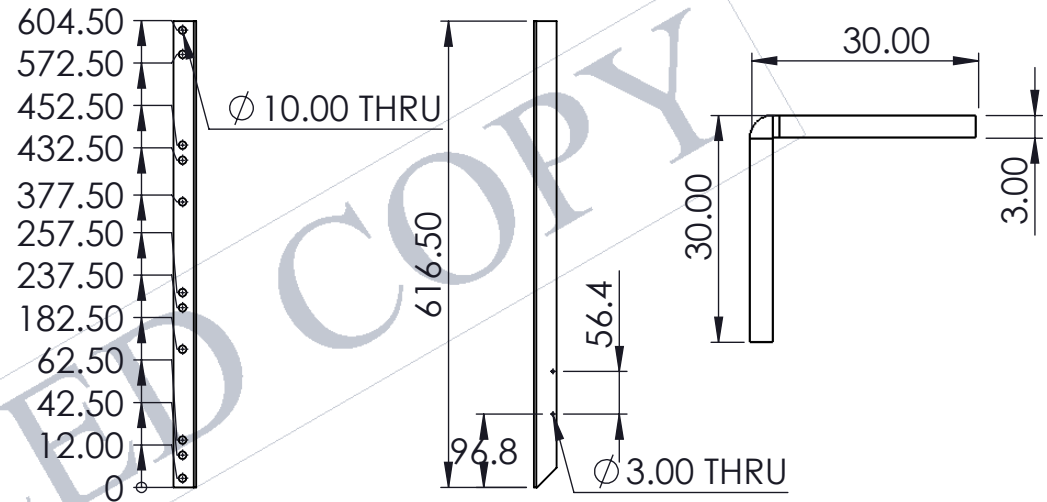
TITLE: RACK 23A AU		PART NO: RTRA0023CNAA	
DRAWING NO: 24AUID23STDXXCR1		PAGE NO: 6/12	FIRST ISSUE
MATERIAL: CRCA	VIJAY.N	00	05.06.2024
CHK'D: ARUL.P	SUDHIR.K	REVISION	DATE
APPVD		BRIEF	
POWDER COATING 50-80 MICRONS		TOLERANCE UNLESS OTHERWISE STATED	
		±5	
		HOLES: ±0.2	
		ANGLES: ±0.5	



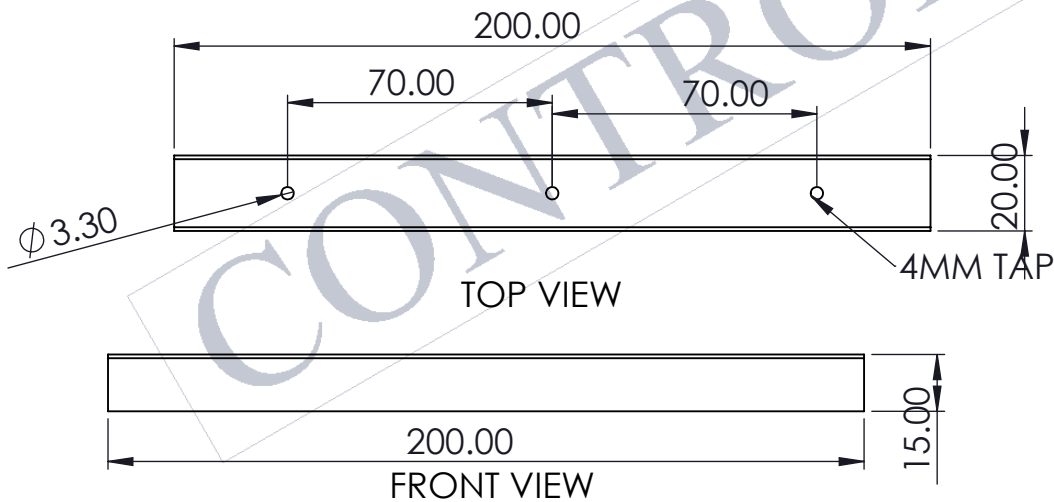
MOV CLAMP



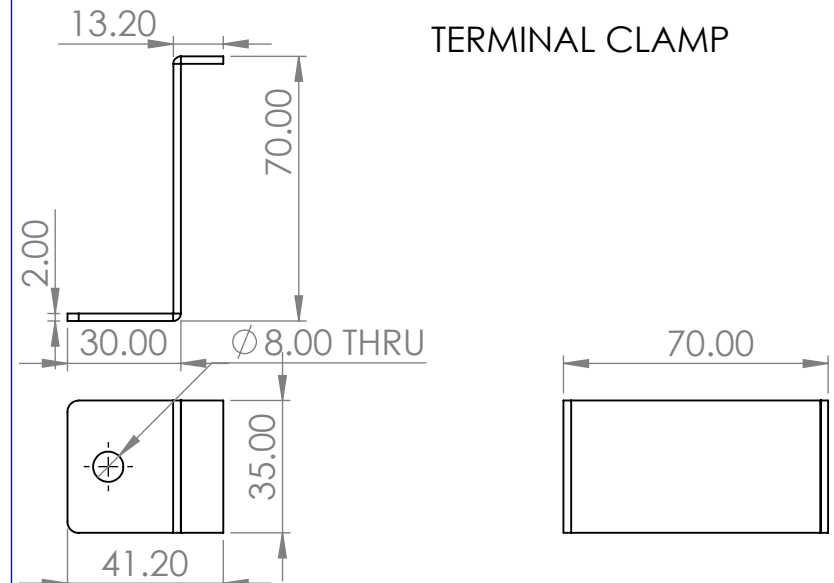
BBT L ANGLE MOVABLE



WIRE STRIP



TERMINAL CLAMP



NOTE:

ALL DIMENSIONS ARE IN MM UNLESS OTHERWISE SPECIFIED
 ALL SHARP CORNERS TO BE ROUNDED OFF
 ALL SURFACE SHALL BE SMOOTH & NOT HAVE ANY SCRATCHES
 NO ASSUMPTIONS ALLOWED

TITLE: RACK 23A AU

DRAWING NO: 24AUID23STDXXCR1

PART NO: RTRA0023CNAA

MATERIAL: CRCA

PAGE NO

7/12

DRAWN

VIJAY.N

00

05.06.2024

FIRST ISSUE

CHK'D

ARUL.P

REVISION

DATE

BRIEF

APPVD

SUDHIR.K

TOLERANCE UNLESS OTHERWISE STATED

±5
 HOLES: ±0.2
 ANGLES: ±0.5

POWDER COATING 50-80 MICRONS



M4 NUT WELDED AT BOTTOM

ISOMERIC VIEW

4MM NUT WELDX2NOS

4MM NUT WELD INSIDEX2NOS

SIDE VIEW

FRONT VIEW

NOTE:

ALL DIMENTIONS ARE IN MM UNLESS OTHERWISE SPECIFIED
 ALL SHARP CORNERS TO BE ROUNDED OFF
 ALL SURFACE SHALL BE SMOOTH & NOT HAVE ANY SCRACHES
 NO ASSUMPTIONS ALLOWED

TITLE: RACK 23A AU

DRAWING NO: 24AUID23STDXXCR1

PART NO: RTRA0023CNAA

MATERIAL: CRCA

PAGE NO

8/12

DRAWN

VIJAY.N

00 05.06.2024

FIRST ISSUE

CHK'D

ARUL.P

REVISION

DATE

BRIEF

APPVD

SUDHIR.K

TOLERANCE UNLESS OTHERWISE STATED

±5

HOLES: ±0.2

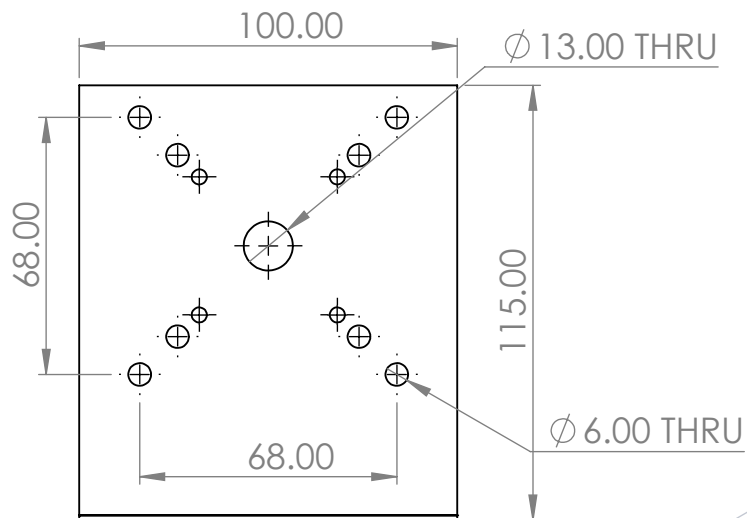
ANGLES: ±0.5

POWDER COATING 50-80 MICRONS

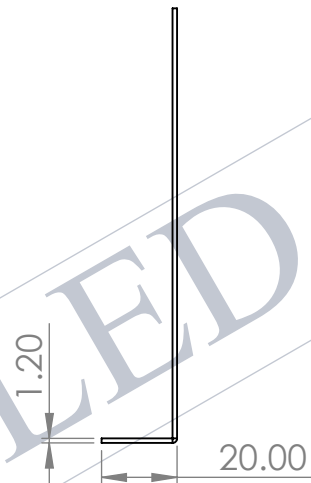
atandra
measure. protect. consume

KEYCAD

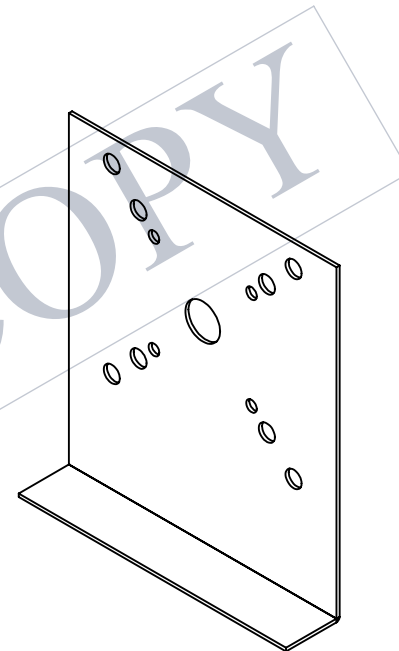
COS CUP



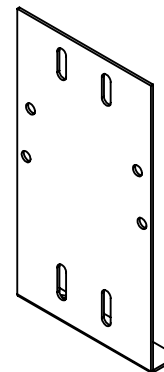
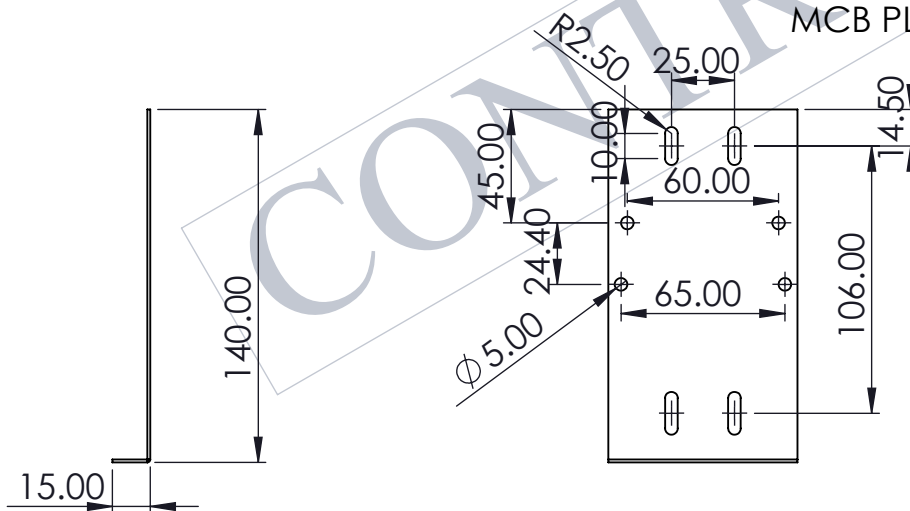
FRONT VIEW



SIDE VIEW



MCB PLATE



NOTE:

ALL DIMENSIONS ARE IN MM UNLESS OTHERWISE SPECIFIED
ALL SHARP CORNERS TO BE ROUNDED OFF
ALL SURFACE SHALL BE SMOOTH & NOT HAVE ANY SCRACHES
NO ASSUMPTIONS ALLOWED

TITLE: RACK 23A AU

DRAWING NO: 24AUID23STDXXCR1

PART NO: R1RA0023CNAA

MATERIAL: CRCA

PAGE NO

9/12

DRAWN

VIJAY.N

00 05.06.2024

FIRST ISSUE

CHK'D

ARUL.P

REVISION

DATE

BRIEF

APPVD

SUDHIR.K

TOLERANCE UNLESS OTHERWISE STATED

±5

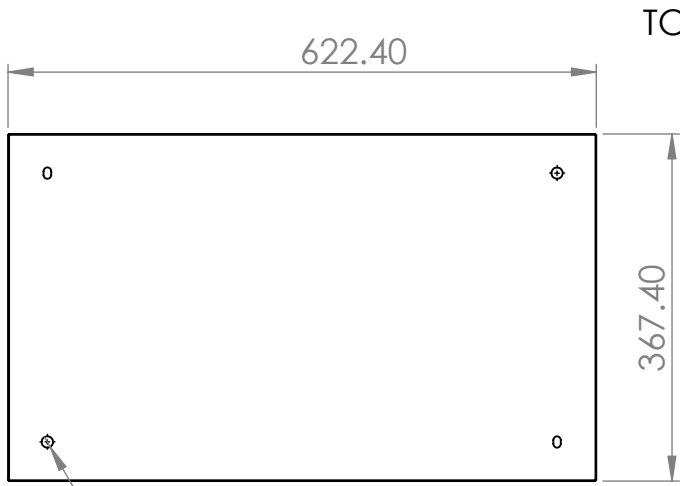
HOLES: ±0.2

ANGLES: ±0.5

POWDER COATING 50-80 MICRONS

atandra
measure. protect. consume

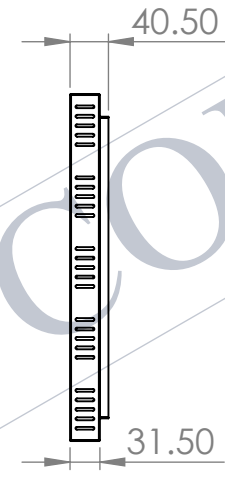




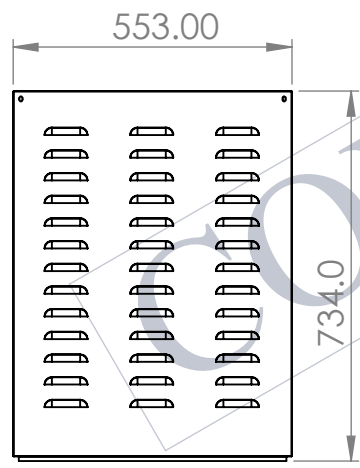
Ø 12.00 THRU

FRONT VIEW

TOP COVER SHEET THICKNESS :1mm



SIDE VIEW

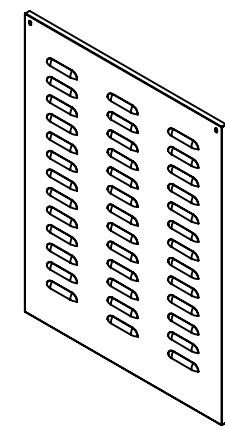


FRONT VIEW

SIDE COVER SHEET THICKNESS :1mm



SIDE VIEW



NOTE:
 ALL DIMENSIONS ARE IN MM UNLESS OTHERWISE SPECIFIED
 ALL SHARP CORNERS TO BE ROUNDED OFF
 ALL SURFACE SHALL BE SMOOTH & NOT HAVE ANY SCRACHES
 NO ASSUMPTIONS ALLOWED

TITLE: RACK 23A AU		PART NO: RTRA0023CNAA	
DRAWING NO: 24AUID23STDXXCR1		PAGE NO: 10/12	FIRST ISSUE
MATERIAL: CRCA	VIJAY.N	00	05.06.2024
CHK'D: ARUL.P	SUDHIR.K	REVISION	DATE
APPVD		BRIEF	
POWDER COATING 50-80 MICRONS		±5	
		HOLES: ±0.2	
		ANGLES: ±0.5	

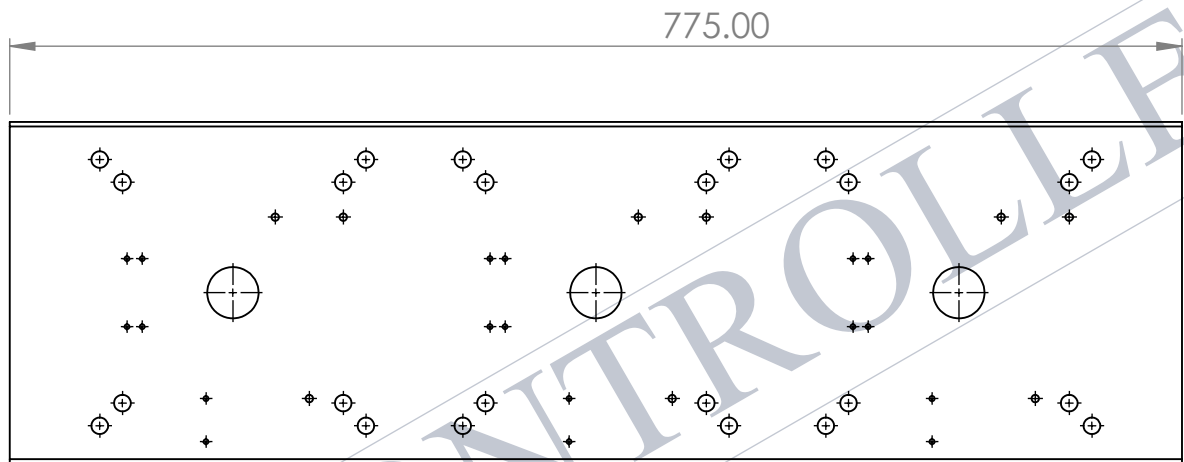


8 7 6 5 4 3 2 1

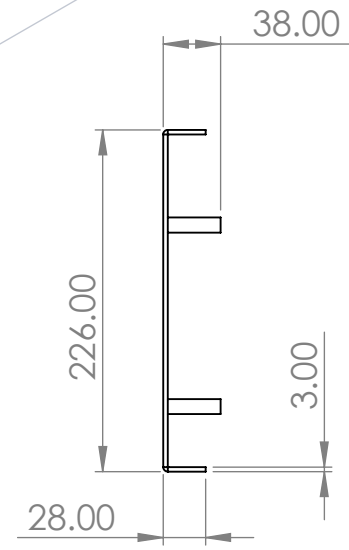
F
E
D
C
B
A

F
E
D
C
B
A

CONTROLLED COPY



FRONT VIEW



SIDE VIEW

NOTE:
 ALL DIMENSIONS ARE IN MM UNLESS OTHERWISE SPECIFIED
 ALL SHARP CORNERS TO BE ROUNDED OFF
 ALL SURFACE SHALL BE SMOOTH & NOT HAVE ANY SCRACHES
 NO ASSUMPTIONS ALLOWED

TITLE: RACK 23A AU		PART NO: RTRA0023CNAA	
DRAWING NO: 24AUID23STDXXCR1		PAGE NO: 00	11/12
MATERIAL: CRCA		05.06.2024	FIRST ISSUE
DRAWN: VIJAY.N		REVISION: ARUL.P	DATE: BRIEF
CHK'D: SUDHIR.K		APPVD: SUDHIR.K	±5
POWDER COATING 50-80 MICRONS		TOLERANCE UNLESS OTHERWISE STATED	HOLES: ±0.2 ANGLES: ±0.5



8 7 6 5 4 3 2 1

Hole Table			
TAG	X LOC	Y LOC	SIZE
A1	27.50	264.50	Ø 5.00 THRU
A2	267.50	264.50	
A3	507.50	264.50	
A4	747.50	264.50	
B1	59.50	47.75	Ø 11.00 THRU
B2	59.50	223.75	
B3	74.50	62.75	
B4	74.50	208.75	
B5	220.50	62.75	
B6	220.50	208.75	
B7	235.50	47.75	
B8	235.50	223.75	
B9	299.50	47.75	
B10	299.50	223.75	
B11	314.50	62.75	Ø 34.00 THRU
B12	314.50	208.75	
B13	460.50	62.75	
B14	460.50	208.75	
B15	475.50	47.75	
B16	475.50	223.75	
B17	539.50	47.75	
B18	539.50	223.75	
B19	554.50	62.75	
B20	554.50	208.75	
B21	700.50	62.75	
B22	700.50	208.75	
B23	715.50	47.75	
B24	715.50	223.75	Ø 3.30 THRU
C1	77.50	113.25	
C2	77.50	158.25	

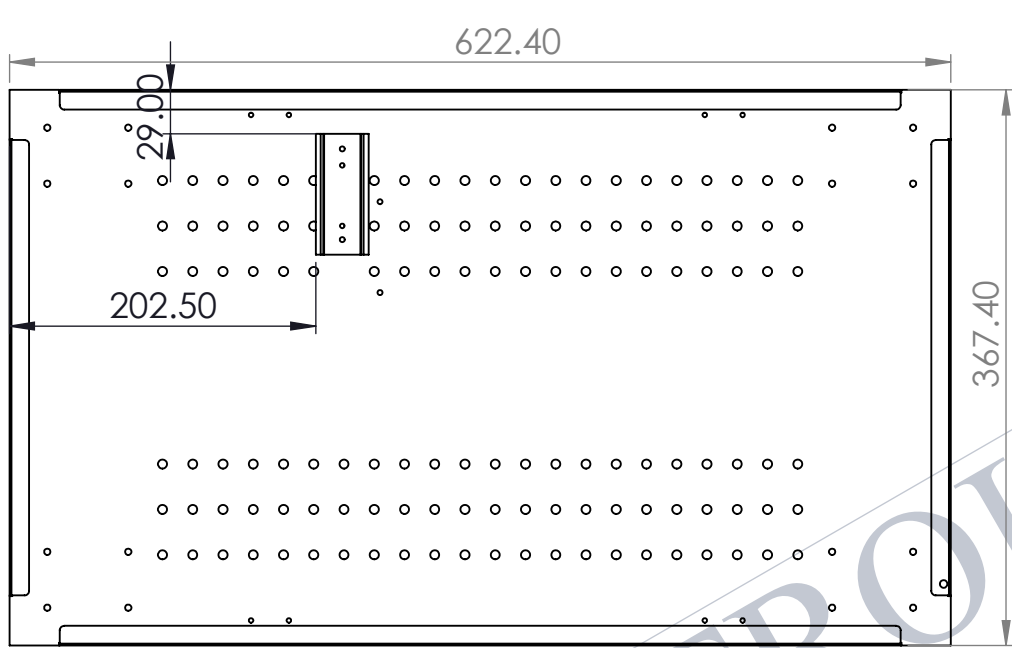
Hole Table				
TAG	X LOC	Y LOC	SIZE	
C3	87.50	113.25	Ø 3.30 THRU	
C4	87.50	158.25		
C5	129.76	37.25		
C6	129.76	65.75		
C7	317.50	113.25		
C8	317.50	158.25		
C9	327.50	113.25		
C10	327.50	158.25		
C11	369.76	37.25		
C12	369.76	65.75		
C13	557.50	113.25		
C14	557.50	158.25		
C15	567.50	113.25		
C16	567.50	158.25		
C17	609.75	37.25		
C18	609.75	65.75		
D1	147.50	135.75		Ø 34.00 THRU
D2	387.50	135.75		
D3	627.50	135.75		
E1	175.50	185.75	Ø 5.00 ∇ 38.00	
E2	198	65.75		
E3	220.50	185.75		
E4	415.50	185.75		
E5	438	65.75		
E6	460.50	185.75		
E7	655.50	185.75		
E8	678	65.75		
E9	700.50	185.75		

NOTE:
 ALL DIMENSIONS ARE IN MM UNLESS OTHERWISE SPECIFIED
 ALL SHARP CORNERS TO BE ROUNDED OFF
 ALL SURFACE SHALL BE SMOOTH & NOT HAVE ANY SCRACHES
 NO ASSUMPTIONS ALLOWED

TITLE: RACK 23A AU			
DRAWING NO: 24AUID23STDXXCR1		PART NO: RTRA0023CNAA	
MATERIAL: CRCA		PAGE NO	12/12
DRAWN	VIJAY.N	00	05.06.2024
CHK'D	ARUL.P	REVISION	DATE
APPVD	SUDHIR.K		BRIEF
POWDER COATING 50-80 MICRONS		TOLERANCE UNLESS OTHERWISE STATED	±5
			HOLES: ±0.2
			ANGLES: ±0.5



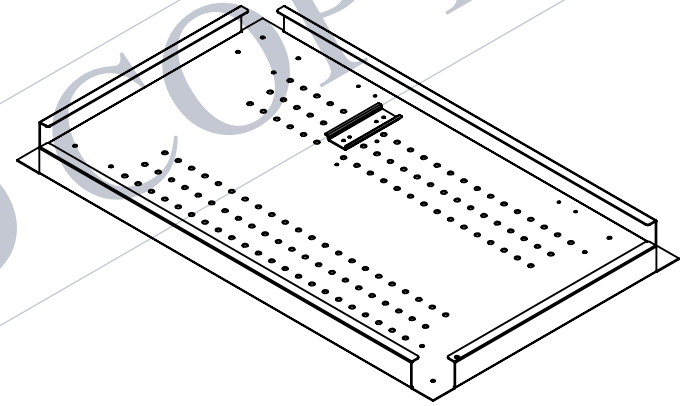
23A AU RACK-BOTTOM STOPPER PLATE ASSEMBLY



FRONT VIEW



SIDE VIEW



ISOMETRIC VIEW

REVISION-1

FRONT VIEW

SIDE VIEW

NOTE:

- ALL DIMENSIONS ARE IN MM UNLESS OTHERWISE SPECIFIED
- ALL SHARP CORNERS TO BE ROUNDED OFF
- ALL SURFACE SHALL BE SMOOTH & NOT HAVE ANY SCRACHES
- NO ASSUMPTIONS ALLOWED

TITLE: RACK 23A AU

DRAWING NO: 24AUID23STDXXCR1

PART NO: RTRA0023CNAA

MATERIAL: CRCA

PAGE NO: 01

DRAWN: VIJAY.N

01 05.06.2024 FIRST ISSUE

CHK'D: ARUL.P

REVISION: DATE: BRIEF:

APPVD: SUDHIR.K

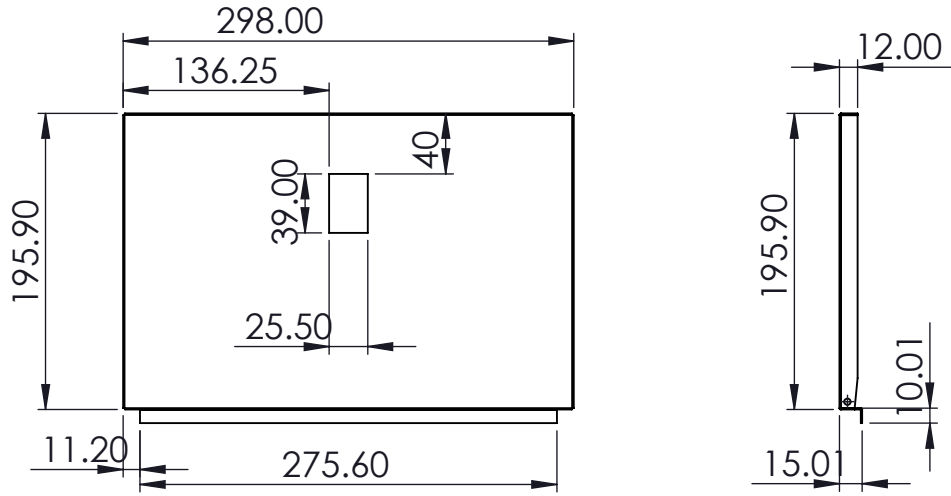
TOLERANCE UNLESS OTHERWISE STATED

±5
HOLES: ±0.2
ANGLES: ±0.5

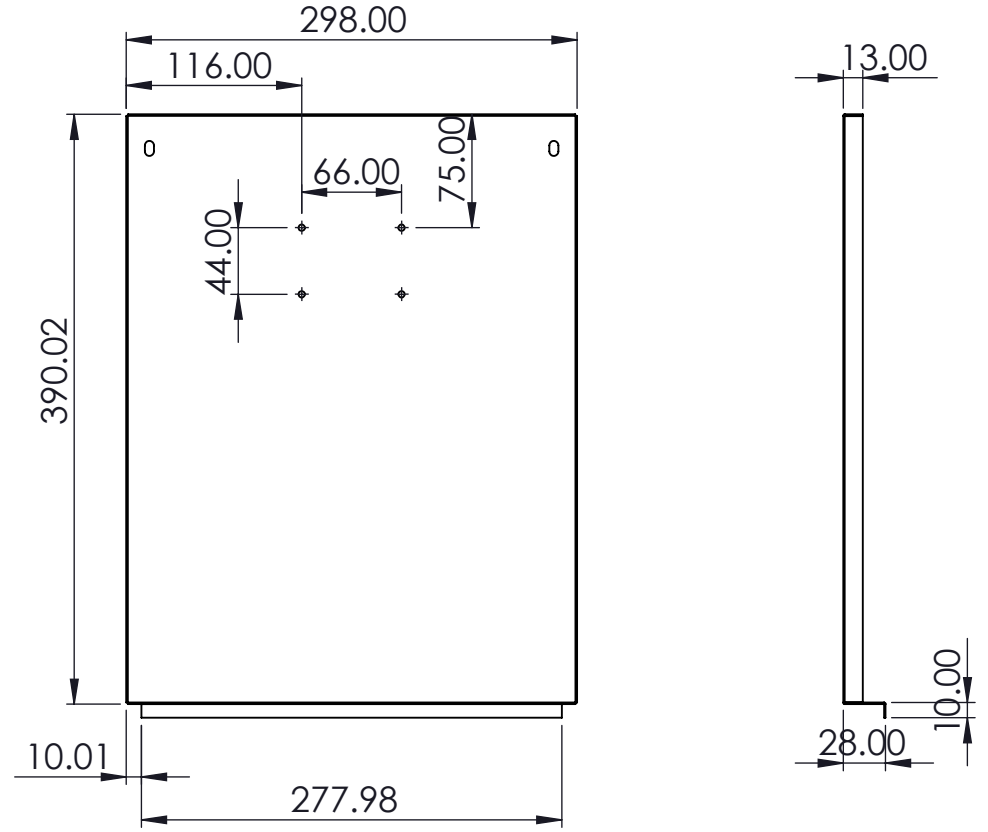
POWDER COATING 50-80 MICRONS



MCCB & COS DOOR



BACK DOOR



NOTE:

ALL DIMENTIONS ARE IN MM UNLESS OTHERWISE SPECIFIED
 ALL SHARP CORNERS TO BE ROUNDED OFF
 ALL SURFACE SHALL BE SMOOTH & NOT HAVE ANY SCRACHES
 NO ASSUMPTIONS ALLOWED

TITLE: RACK 23A AU

DRAWING NO: 24AUID23STDXXCR1

PART NO: RTRA0023CNAA

MATERIAL: CRCA

PAGE NO

14/16

DRAWN

VIJAY.N

00

05.06.2024

FIRST ISSUE

CHK'D

ARUL.P

REVISION

DATE

BRIEF

APPVD

SUDHIR.K

TOLERANCE UNLESS OTHERWISE STATED

±5

POWDER COATING 50-80 MICRONS

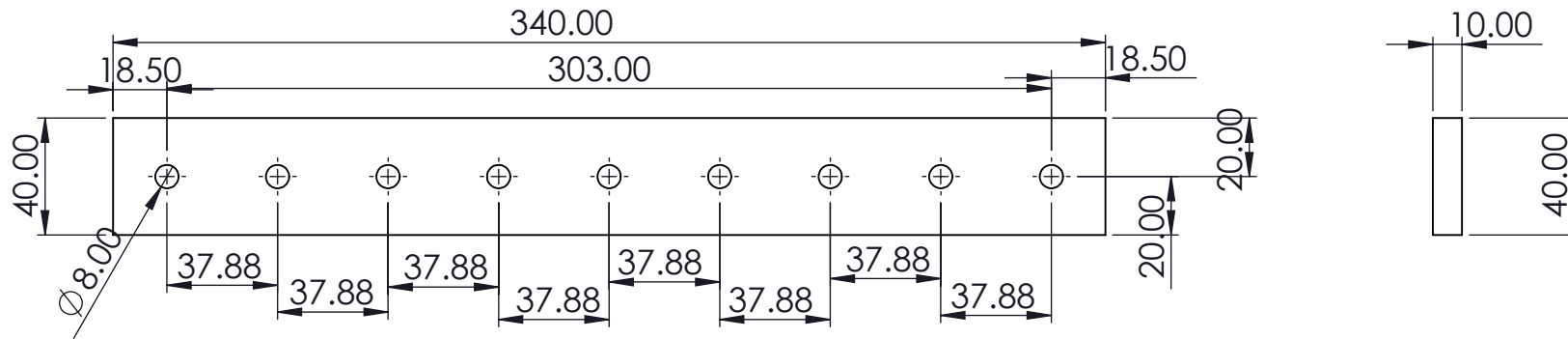
HOLES: ±0.2

ANGLES: ±0.5



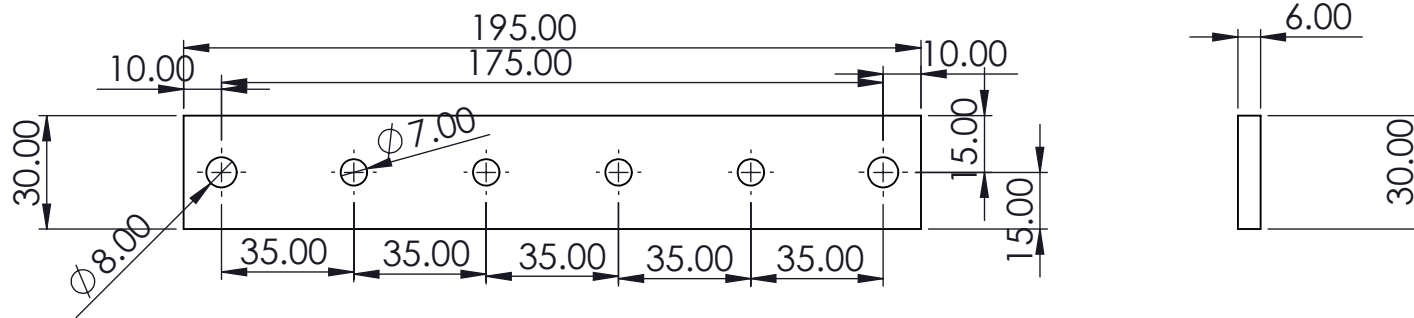
MAIN TERMINAL SMC

PART NO - RISM9040ANAF



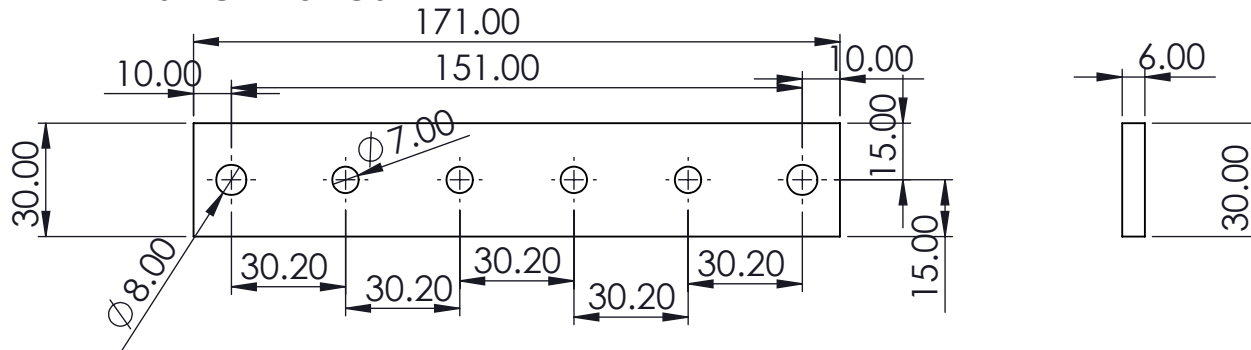
BBT TERMINAL SMC 1 - 3NOS

PART NO - RISMC195X06H



BBT TERMINAL SMC 2 - 3NOS

PART NO - RISMC171X06H



NOTE:

ALL DIMENSIONS ARE IN MM UNLESS OTHERWISE SPECIFIED
 ALL SHARP CORNERS TO BE ROUNDED OFF
 ALL SURFACE SHALL BE SMOOTH & NOT HAVE ANY SCRACHES
 NO ASSUMPTIONS ALLOWED

TITLE: RACK 23A AU

DRAWING NO: 24AUID23STDXXCR1

PART NO: RTRA0023CNAA

MATERIAL: CRCA

PAGE NO

15/16

DRAWN

VIJAY.N

00

05.06.2024

FIRST ISSUE

CHK'D

ARUL.P

REVISION

DATE

BRIEF

APPVD

SUDHIR.K

TOLERANCE UNLESS OTHERWISE STATED

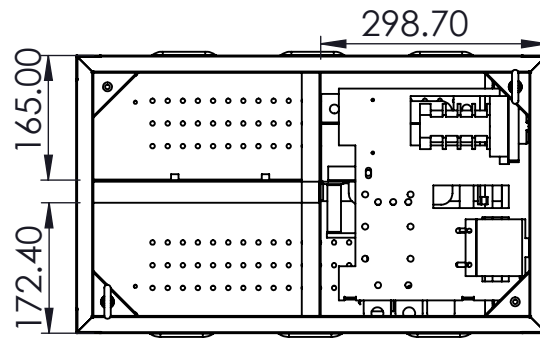
±5

POWDER COATING 50-80 MICRONS

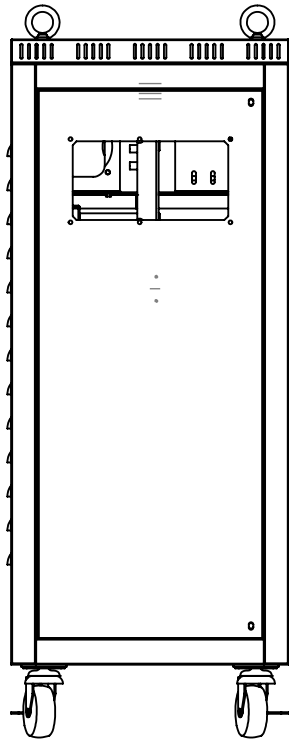
HOLES: ±0.2

ANGLES: ±0.5

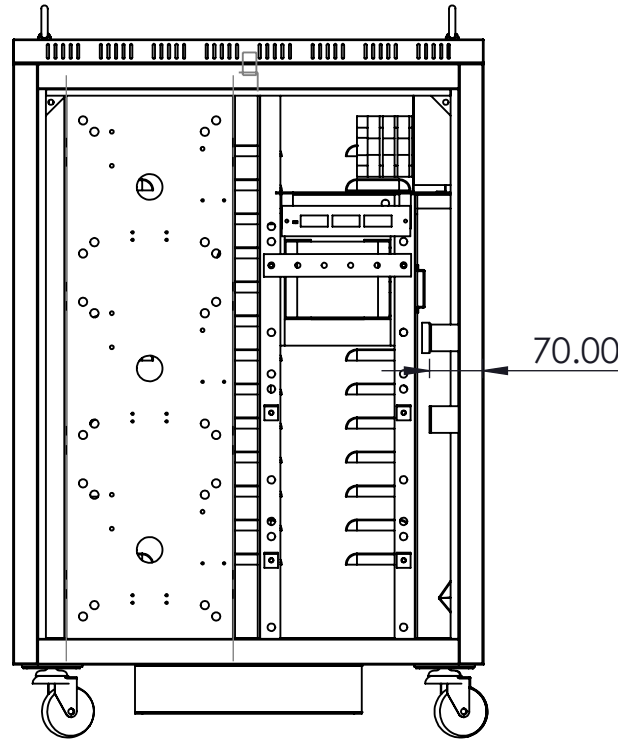




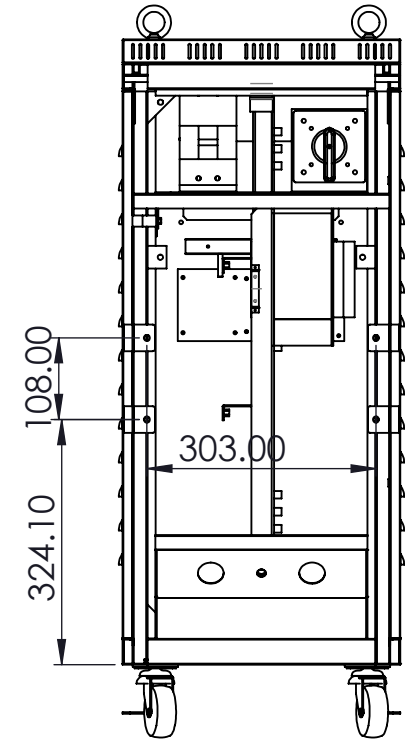
TOP VIEW



FRONT VIEW



SIDE VIEW



BACK VIEW

NOTE:

ALL DIMENSIONS ARE IN MM UNLESS OTHERWISE SPECIFIED
 ALL SHARP CORNERS TO BE ROUNDED OFF
 ALL SURFACE SHALL BE SMOOTH & NOT HAVE ANY SCRACHES
 NO ASSUMPTIONS ALLOWED

TITLE: RACK 23A AU

DRAWING NO: 24AUID23STDXXCR1

PART NO: RTRA0023CNAA

MATERIAL: CRCA

PAGE NO: 16/16

DRAWN: VIJAY.N

00 05.06.2024 FIRST ISSUE

CHK'D: ARUL.P

REVISION DATE BRIEF

APPVD: SUDHIR.K

TOLERANCE UNLESS OTHERWISE STATED

±5

POWDER COATING 50-80 MICRONS

HOLES: ±0.2

ANGLES: ±0.5

atandra
 measure. protect. consume

