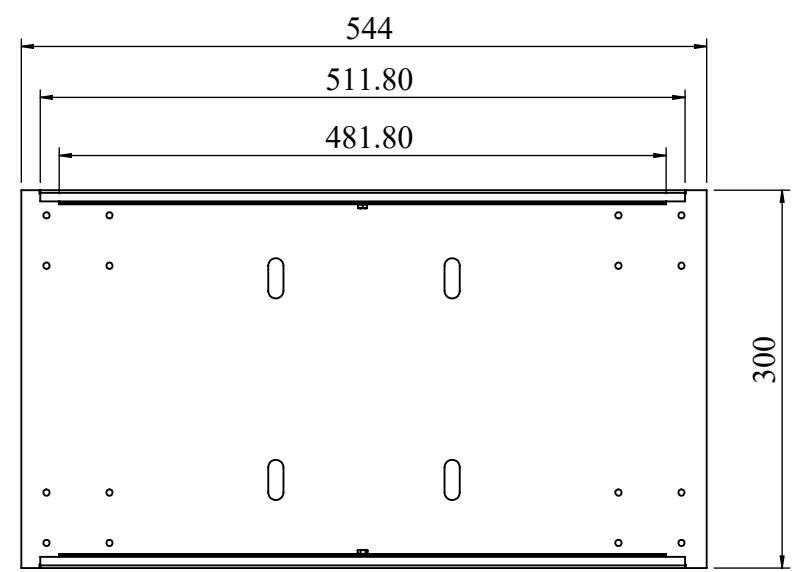
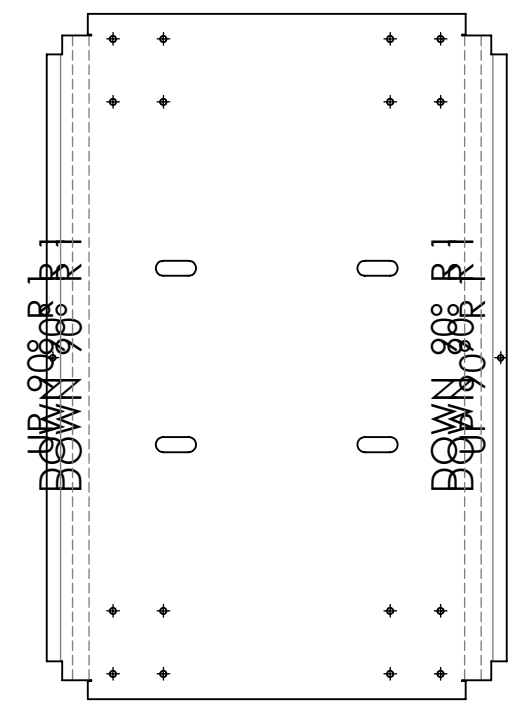
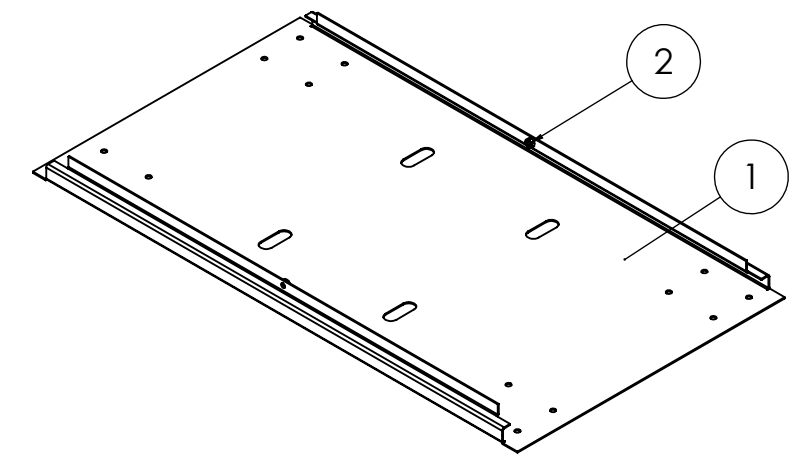
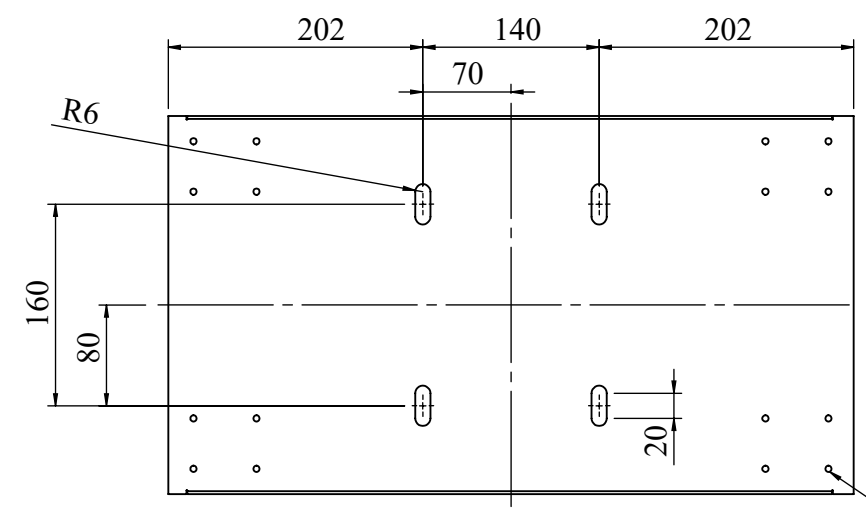
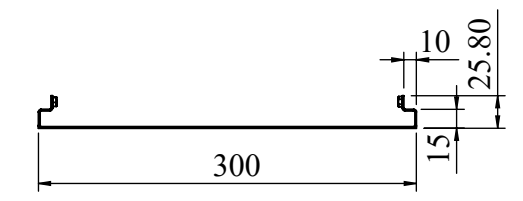
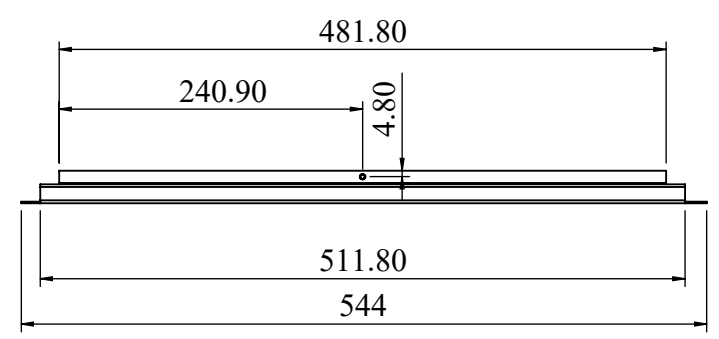
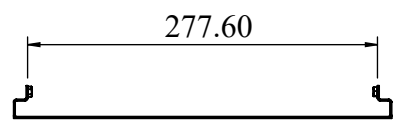


REVISIONS					
REV	DESCRIPTION	DRN	CHK	APPD	DATE
REV 01					



ITEM NO.	PartNo	DESCRIPTION	QTY.
1	RCAB03622R0-01-01_01	BASE PLATE	1
2	RCAB01914R0-01-01_02	M4 STUD/WELD NUT	2



WHEEL MOUNTING PITCH AS PER VENDOR DESIGN

- NOTES - UNLESS OTHERWISE SPECIFIED:
1. FINISH: POWDER COATED - RAL9005 - BLACK (MATT FINISH)
 2. DIMENSIONS ARE TO BE INTERPRETED AS PER ASME Y14.5M - 1994.
 3. ALL DIMENSIONS APPLY AFTER FINISHING.
 4. PART TO BE CLEAN AND FREE OF ALL SHARP EDGES BURRS, CHIPS, SHAVINGS AND OILS BOTH INTERNALLY AND EXTERNALLY.
 5. ALL BEND RADIUS AND RELIEFS TO BE MINIMUM.
 6. ALL DIMENSIONS ARE IN MM.
 7. UNLESS OTHERWISE SPECIFIED DIMENSIONS REFER DXF DRAWING.

SUPERSEDES:			NAME	DATE/SIGN
MATERIAL: CRCA		DRAWN	VIGNESH	07-09-2020
WEIGHT: 1827.73G	THK: 1.2MM	CHK'D	VS	
FINISH: SEE NOTES		APPV'D	AK	
TOLERANCES UNLESS OTHERWISE SPECIFIED		STATUS: REV 01		
LINEAR DIMENSION				
0.5-3	3-6	6-30	30-120	120-400
±0.5	±0.5	±1	±2	±3
ANGULAR DIMENSION				
0-10	10-50	50-120	120-400	OVER 400
±1°	±0.30°	±0.30°	±0.10°	±0.5°
EXTERNAL RADII & CH				
0.5 - 3	3 - 6	OVER 6		
±0.2	±0.5	±1		

DOC TYPE: MECHANICAL DRAWING	
PRODUCT: 10KVA UPS	
TITLE: BASE PART ASSY	
DWG NO: RCAB03162R1-01-01	SIZE: A3
1:6	3 OF 14