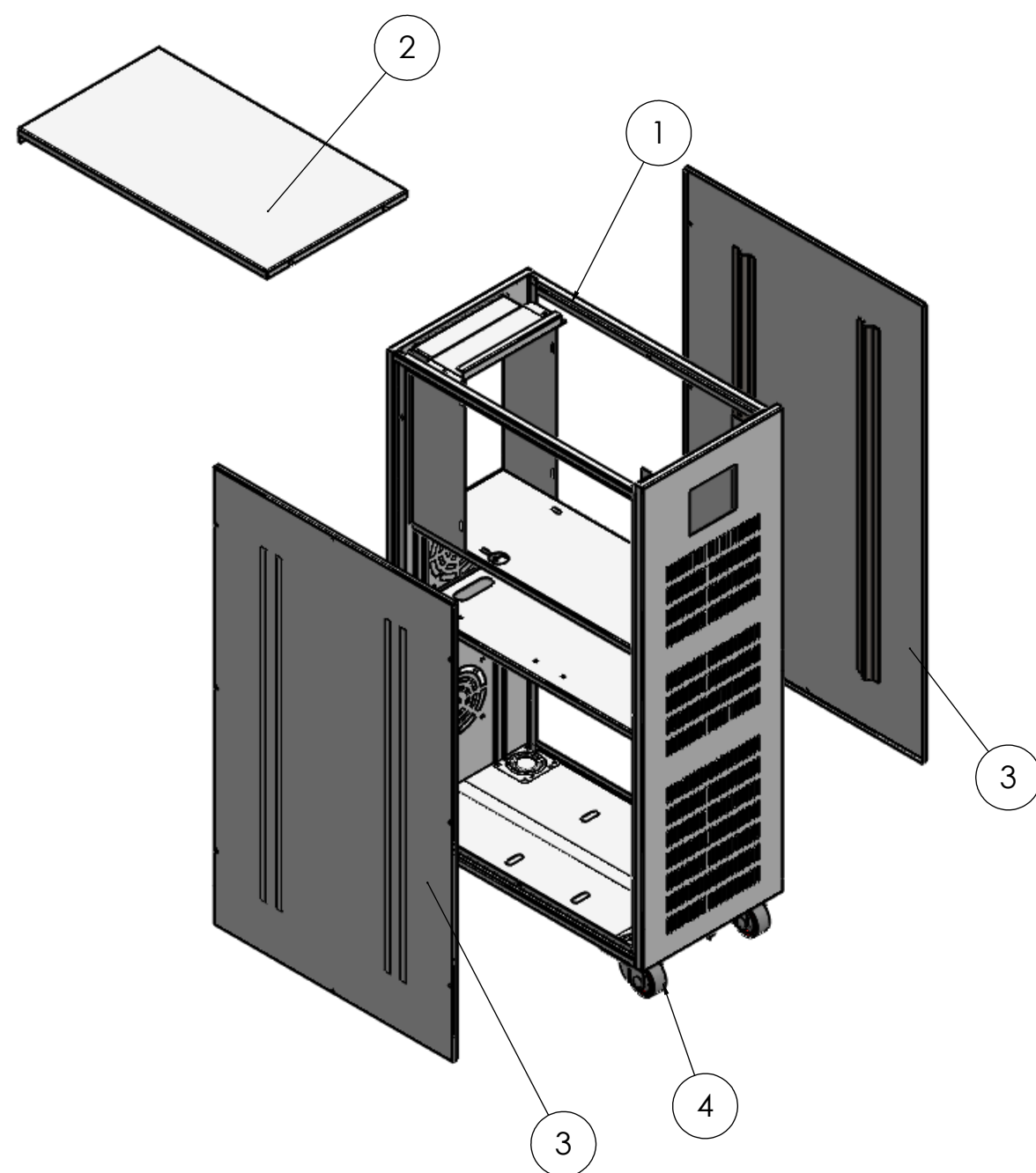


REVISIONS					
REV	DESCRIPTION	DRN	CHK	APPD	DATE
REV 00	-----INITIAL RELEASE-----	VK		ASK	12-11-21



COLOUR: RAL9005  
 IP RATING: IP20  
 WHEEL : 2 INCH NYLON WHEEL

Note(2):  
 RISTC00109  
 HTRX00081  
 HNIT00255

ITEM NO.	PartNo	DESCRIPTION	QTY.
1	RCAB03622-R0-01	FRAME ASSY	1
2	RCAB03622R0-02	TOP COVER ASSY	1
3	RCAB03622R0-03	SIDE COVER ASSM	2
4	2-INCH WHEEL	WHEEL-JAINSONS	4

NOTES - UNLESS OTHERWISE SPECIFIED:  
 1. FINISH: POWDER COATED - RAL9005 - BLACK (MATT FINISH)  
 2. DIMENSIONS ARE TO BE INTERPRETED AS PER ASME Y14.5M - 1994.  
 3. ALL DIMENSIONS APPLY AFTER FINISHING.  
 4. PART TO BE CLEAN AND FREE OF ALL SHARP EDGES BURRS, CHIPS, SHAVINGS AND OILS BOTH INTERNALLY AND EXTERNALLY.  
 5. ALL BEND RADIUS AND RELIEFS TO BE MINIMUM.  
 6. ALL DIMENSIONS ARE IN MM.  
 7. UNLESS OTHERWISE SPECIFIED DIMENSIONS REFER DXF DRAWING.

SUPERSEDES:		NAME	DATE/SIGN
MATERIAL:		DRAWN	VIGNESH
WEIGHT: 26337.37G		THK: MM	12-11-2021
FINISH: SEE NOTES		CHK'D	VS
TOLERANCES UNLESS OTHERWISE SPECIFIED		APPV'D	ASK
STATUS: REV 00		THIRD ANGLE PROJECTION:	
LINEAR DIMENSION			
0.5-3	3-6	6-30	30-120
120-400	400-1000	1000-2000	2000-4000
±0.5	±0.5	±1	±2
±3	±4	±5	±10
ANGULAR DIMENSION		EXTERNAL RADII & CH	
0-10	10-50	50-120	120-400
OVER 400	0.5 - 3	3 - 6	OVER 6
±1°	±0.30°	±0.30°	±0.10°
±0.5°	±0.2	±0.5	±1

**Fuji Electric**

DOC TYPE: MECHANICAL DRAWING

PRODUCT: 10 KVA UPS

TITLE: CABINET ASSY

DWG NO: RCAB03622-R0

SIZE: A3

1:10

1 OF 5