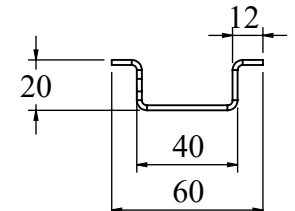
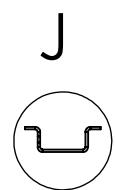
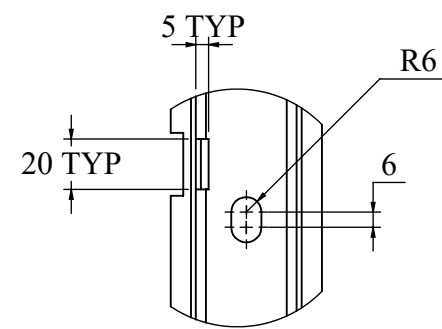


8 7 6 5 4 3 2 1

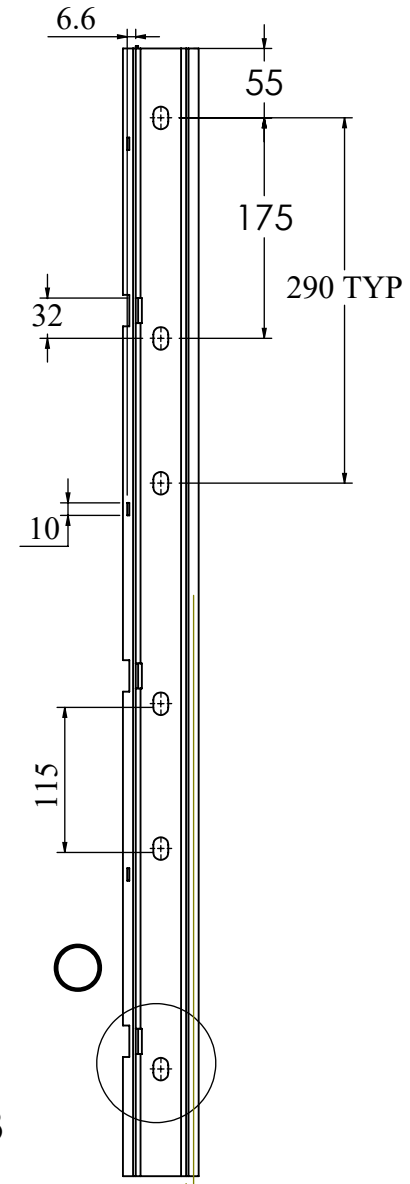
REVISIONS					
REV	DESCRIPTION	DRN	CHK	APPD	DATE
REV 00					



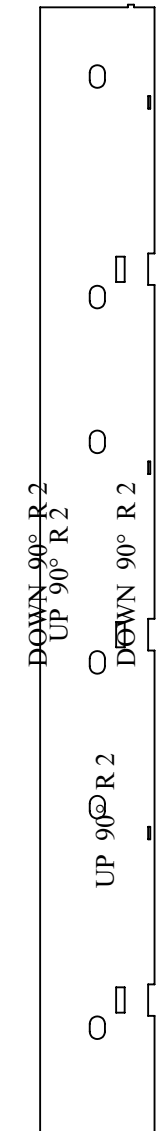
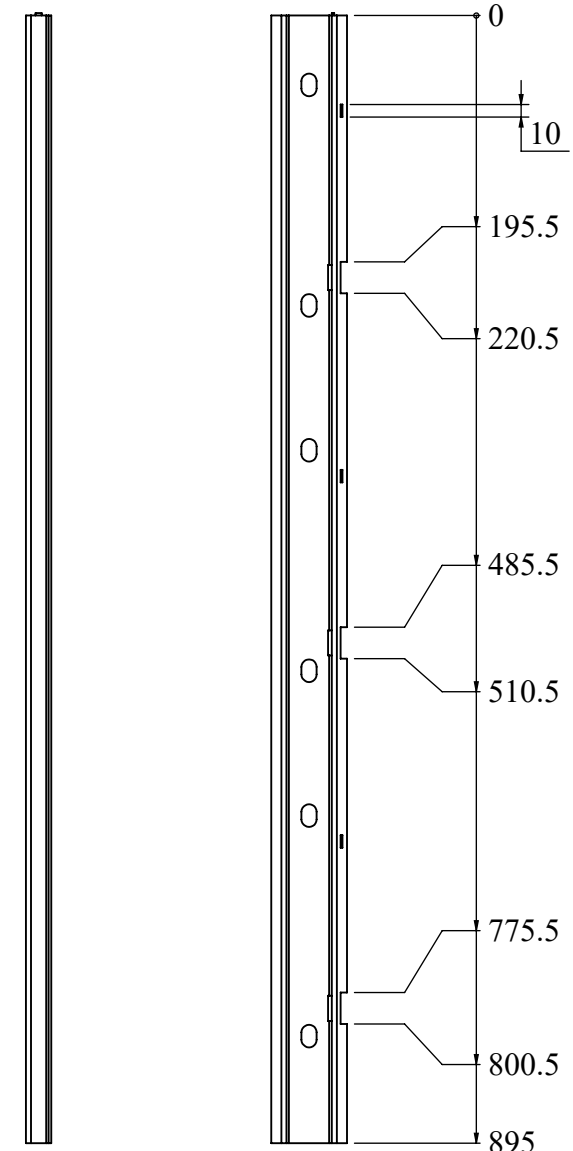
DETAIL J  
SCALE 1 : 3



DETAIL O  
SCALE 1 : 3



DETAIL P  
SCALE 1 : 3



D  
C  
B  
A

D  
C  
B  
A

- NOTES - UNLESS OTHERWISE SPECIFIED:
1. FINISH: POWDER COATED - FRAME - 7035, ALL COVERS - 7016 (TEXTURE)
  2. DIMENSIONS ARE TO BE INTERPRETED AS PER ASME Y14.5M - 1994.
  3. ALL DIMENSIONS APPLY AFTER FINISHING.
  4. PART TO BE CLEAN AND FREE OF ALL SHARP EDGES BURRS, CHIPS, SHAVINGS AND OILS BOTH INTERNALLY AND EXTERNALLY.
  5. ALL BEND RADIUS AND RELIEFS TO BE MINIMUM.
  6. ALL DIMENSIONS ARE IN MM.
  7. UNLESS OTHERWISE SPECIFIED DIMENSIONS REFER DXF DRAWING.

SUPERSEDES:		NAME	DATE/SIGN
MATERIAL: CRCA		DRAWN	SUDHAGAR 08.10.2024
WEIGHT: 1246.33G	THK: 2MM	CHK'D	
FINISH: SEE NOTES		APPV'D	BALRAM
TOLERANCES UNLESS OTHERWISE SPECIFIED		STATUS: REV 00	
LINEAR DIMENSION			
0.5-3	3-6	6-30	30-120
±0.5	±0.5	±1	±2
ANGULAR DIMENSION			
0-10	10-50	50-120	120-400
±1°	±0.30°	±0.30°	±0.10°
EXTERNAL RADII & CH			
0.5 - 3	3 - 6	OVER 6	
±0.2	±0.5	±1	



DOC TYPE: MECHANICAL DRAWING	
PRODUCT: 22.5-30 KVA SCVS DM DG	
TITLE: VERTICAL VARIAC LEG 2	
DWG NO: RCAB00976R0-01-00_09	SIZE: A3
1:6	11 OF 24