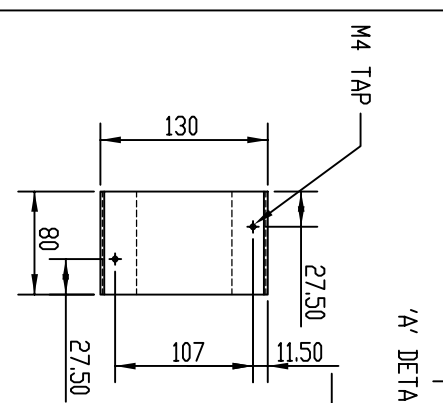
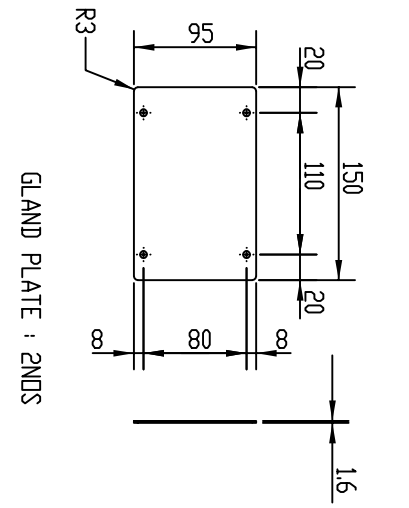
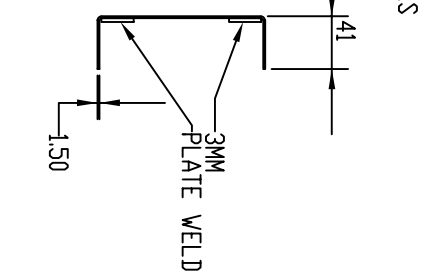


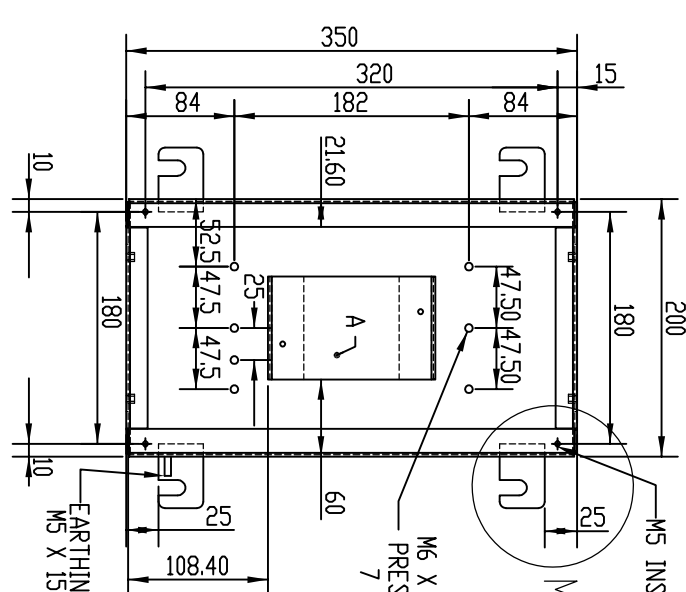
TOP VIEW



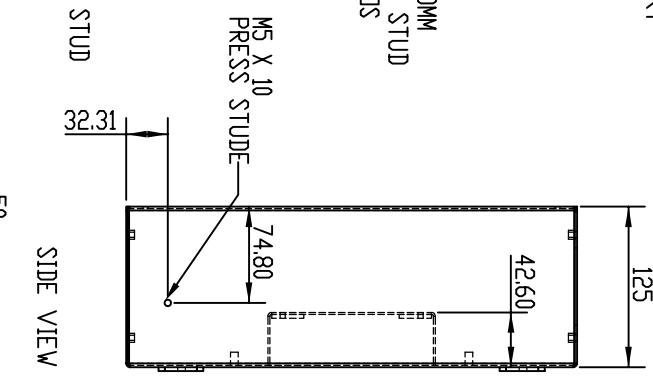
'A' DETAILS



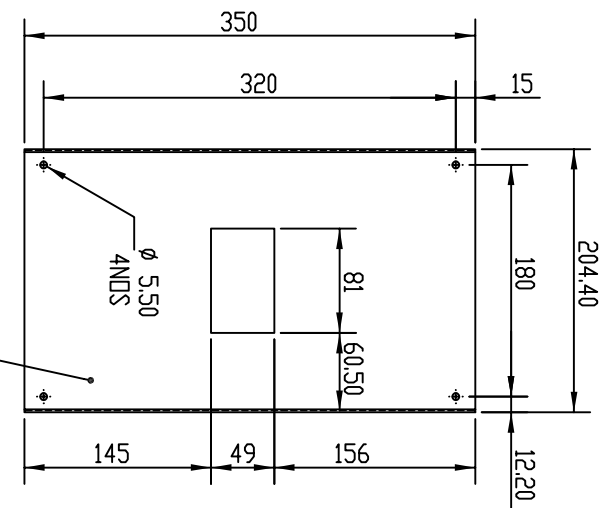
GLAND PLATE : 2NDS



FRONT VIEW



SIDE VIEW



TOP COVER

1.2mm THK.

BOX SIZE : 350 X 200 X 125mm X 16mm Thk.
 COLOR SHADE : RAL 7016 STRUCTURE FINISH

DETAIL M
 SCALE 1 : 3

ALL DIMENSIONS ARE IN MM				SCALE:	NONE	MATERIAL:	THK.
CONSUL CONSUL NEDWATT POWER NEWWATT SOLUTIONS PVT LTD.				FORM:	RHEM33	F. NO.:	RHEM33-01-02
TITLE: MCCB BOX FOR RHEM33 125A - ABB XT1B -2P&3P				DOC. NO.:	1	YDV	YDV
				SHND:		NEXT SH.	DRN
				CHKD:		APPD:	
				REV.	00	DATE	15/07/19
				REF.			09/04/14