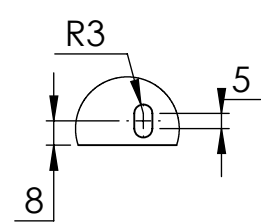
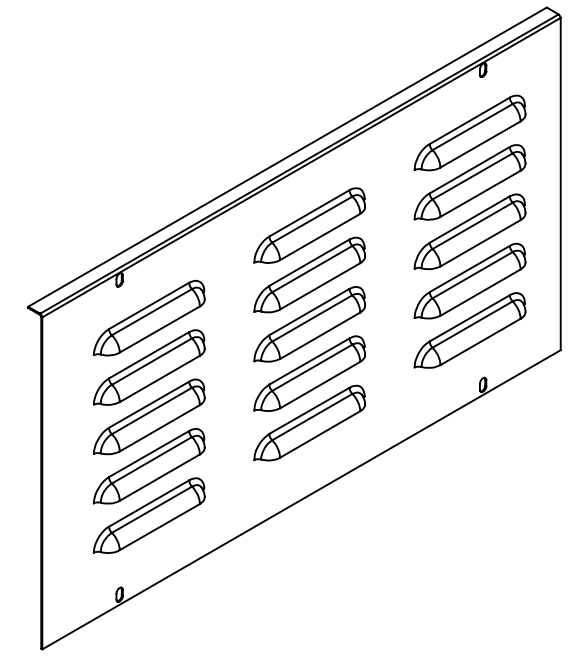
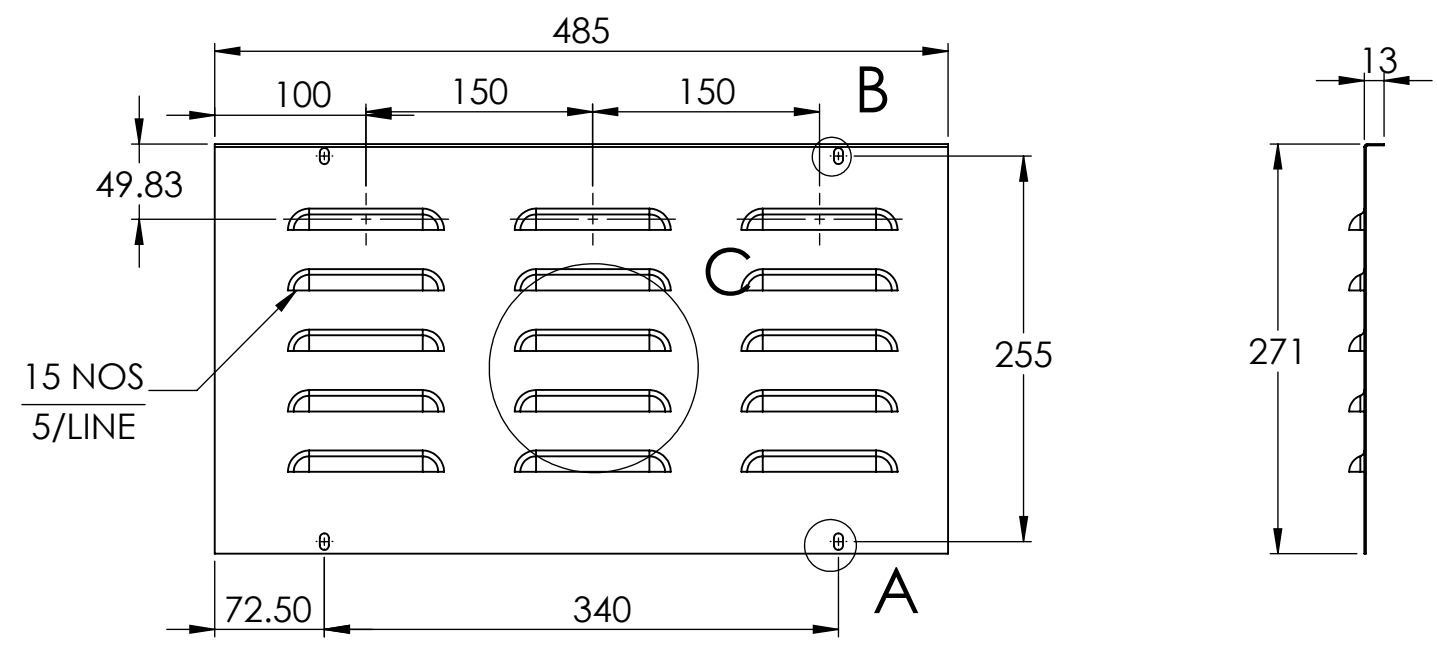
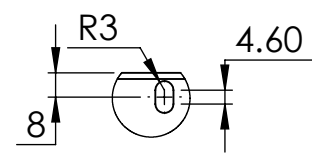


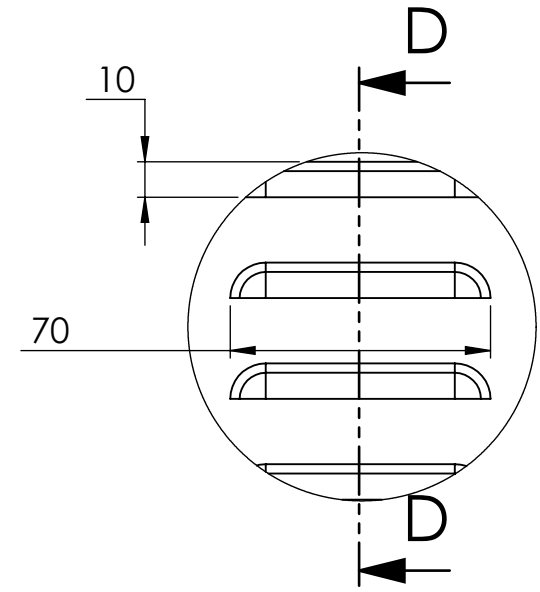
| REVISIONS | | | | | |
|-----------|-------------|-----|-----|------|------|
| REV | DESCRIPTION | DRN | CHK | APPD | DATE |
| | | | | | |



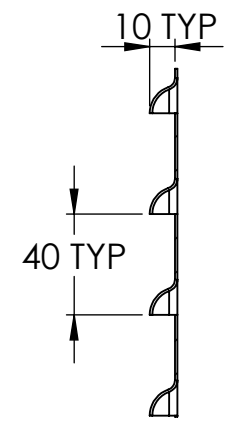
DETAIL A
SCALE 2 : 5



DETAIL B
SCALE 2 : 5



DETAIL C
SCALE 1 : 3



SECTION D-D
SCALE 1 : 3

NOTES - UNLESS OTHERWISE SPECIFIED:

1. FINISH: POWDER COATED - RAL9005 - BLACK (MATT FINISH)
2. DIMENSIONS ARE TO BE INTERPRETED AS PER ASME Y14.5M - 1994.
3. ALL DIMENSIONS APPLY AFTER FINISHING.
4. PART TO BE CLEAN AND FREE OF ALL SHARP EDGES BURRS, CHIPS, SHAVINGS AND OILS BOTH INTERNALLY AND EXTERNALLY.
5. ALL BEND RADIUS AND RELIEFS TO BE MINIMUM.
6. ALL DIMENSIONS ARE IN MM.
7. UNLESS OTHERWISE SPECIFIED DIMENSIONS REFER DXF DRAWING.

| SUPERSEDES: | | NAME | DATE/SIGN | | | | | | | | | | | | | | | | | | | | | | | | |
|---|---------|---------|-----------|---------------------|----------|-----------|-----------|---------------------|--|--|--|-------|-------|--------|---------|----------|----------|-----------|-----------|------|--------|--------|--------|-------|------|------|-----|
| MATERIAL: CRCA 1.2mm THK | | DRAWN | MA | | | | | | | | | | | | | | | | | | | | | | | | |
| WEIGHT: G | THK: MM | CHK'D | VK | | | | | | | | | | | | | | | | | | | | | | | | |
| FINISH: SEE NOTES | | APPV'D | ASK | | | | | | | | | | | | | | | | | | | | | | | | |
| TOLERANCES UNLESS OTHERWISE SPECIFIED | | STATUS: | | | | | | | | | | | | | | | | | | | | | | | | | |
| <table border="1"> <thead> <tr> <th colspan="8">LINEAR DIMENSION</th> </tr> <tr> <th>0.5-3</th> <th>3-6</th> <th>6-30</th> <th>30-120</th> <th>120-400</th> <th>400-1000</th> <th>1000-2000</th> <th>2000-4000</th> </tr> </thead> <tbody> <tr> <td>±0.5</td> <td>±0.5</td> <td>±1</td> <td>±2</td> <td>±3</td> <td>±4</td> <td>±5</td> <td>±10</td> </tr> </tbody> </table> | | | | LINEAR DIMENSION | | | | | | | | 0.5-3 | 3-6 | 6-30 | 30-120 | 120-400 | 400-1000 | 1000-2000 | 2000-4000 | ±0.5 | ±0.5 | ±1 | ±2 | ±3 | ±4 | ±5 | ±10 |
| LINEAR DIMENSION | | | | | | | | | | | | | | | | | | | | | | | | | | | |
| 0.5-3 | 3-6 | 6-30 | 30-120 | 120-400 | 400-1000 | 1000-2000 | 2000-4000 | | | | | | | | | | | | | | | | | | | | |
| ±0.5 | ±0.5 | ±1 | ±2 | ±3 | ±4 | ±5 | ±10 | | | | | | | | | | | | | | | | | | | | |
| <table border="1"> <thead> <tr> <th colspan="4">ANGLER DIMENSION</th> <th colspan="4">EXTERNAL RADII & CH</th> </tr> <tr> <th>0-10</th> <th>10-50</th> <th>50-120</th> <th>120-400</th> <th>OVER 400</th> <th>0.5 - 3</th> <th>3 - 6</th> <th>OVER 6</th> </tr> </thead> <tbody> <tr> <td>±1°</td> <td>±0.30°</td> <td>±0.30°</td> <td>±0.10°</td> <td>±0.5°</td> <td>±0.2</td> <td>±0.5</td> <td>±1</td> </tr> </tbody> </table> | | | | ANGLER DIMENSION | | | | EXTERNAL RADII & CH | | | | 0-10 | 10-50 | 50-120 | 120-400 | OVER 400 | 0.5 - 3 | 3 - 6 | OVER 6 | ±1° | ±0.30° | ±0.30° | ±0.10° | ±0.5° | ±0.2 | ±0.5 | ±1 |
| ANGLER DIMENSION | | | | EXTERNAL RADII & CH | | | | | | | | | | | | | | | | | | | | | | | |
| 0-10 | 10-50 | 50-120 | 120-400 | OVER 400 | 0.5 - 3 | 3 - 6 | OVER 6 | | | | | | | | | | | | | | | | | | | | |
| ±1° | ±0.30° | ±0.30° | ±0.10° | ±0.5° | ±0.2 | ±0.5 | ±1 | | | | | | | | | | | | | | | | | | | | |
| THIRD ANGLE PROJECTION: | | | | | | | | | | | | | | | | | | | | | | | | | | | |



| | |
|------------------------------|------|
| DOC TYPE: MECHANICAL DRAWING | |
| PRODUCT: 15-20 A M.S. STAND | |
| TITLE: RCAB00094R0-00-00_01 | |
| DWG NO: | SIZE |
| 1:10 | A3 |
| 2 OF 8 | |