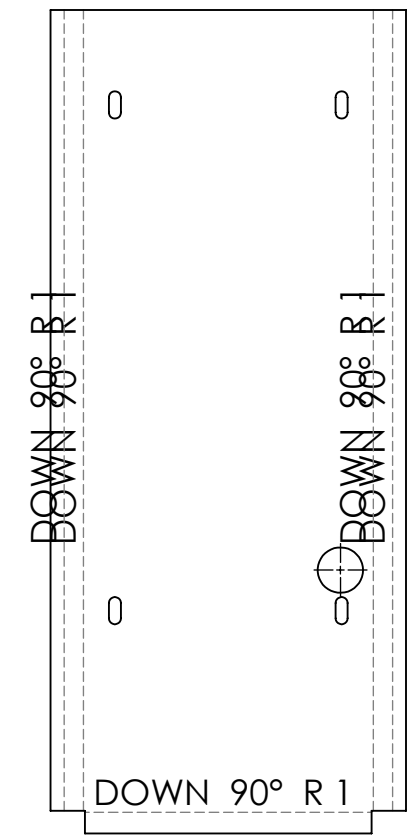
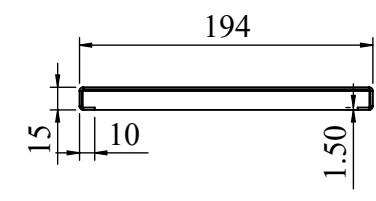
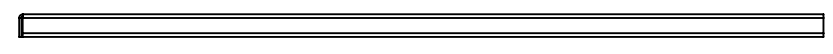
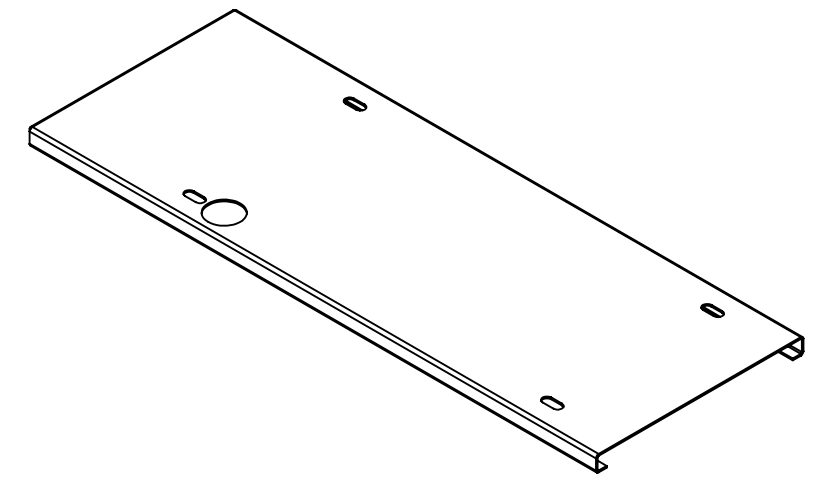
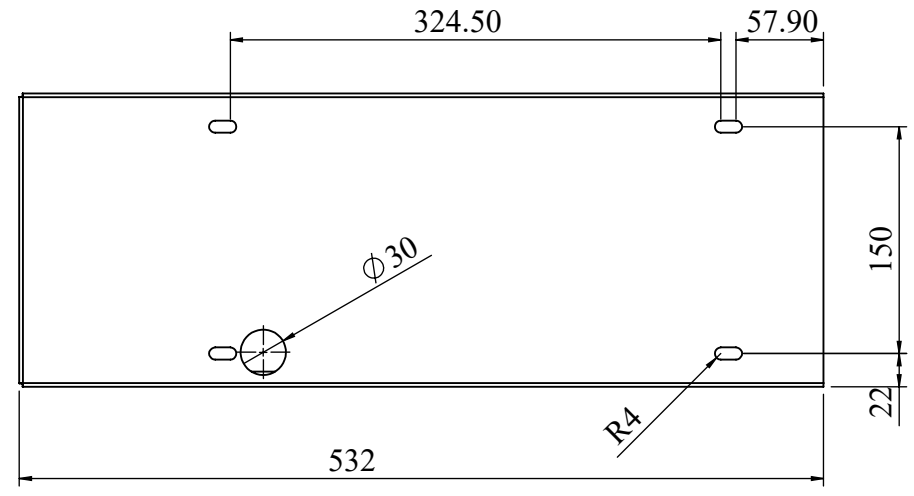


| REVISIONS | | | | | |
|-----------|-------------|-----|-----|------|------|
| REV | DESCRIPTION | DRN | CHK | APPD | DATE |
| REV 00 | | | | | |



NOTES - UNLESS OTHERWISE SPECIFIED:

1. FINISH: POWDER COATED - RAL9005 - BLACK (MATT FINISH)
2. DIMENSIONS ARE TO BE INTERPRETED AS PER ASME Y14.5M - 1994.
3. ALL DIMENSIONS APPLY AFTER FINISHING.
4. PART TO BE CLEAN AND FREE OF ALL SHARP EDGES BURRS, CHIPS, SHAVINGS AND OILS BOTH INTERNALLY AND EXTERNALLY.
5. ALL BEND RADIUS AND RELIEFS TO BE MINIMUM.
6. ALL DIMENSIONS ARE IN MM.
7. UNLESS OTHERWISE SPECIFIED DIMENSIONS REFER DXF DRAWING.

| SUPERSEDES: | | NAME | DATE/SIGN | DOC TYPE: MECHANICAL DRAWING | | | | | | | | | | | | | | | | | | | | | | | | | |
|---|--------|------------|----------------|------------------------------|------------------------|------------------|-----------|--|--|---------------------|--|--|--|-------|-------|--------|---------|----------|----------|-----------|-----------|------|--------|--------|--------|-------|------|------|-----|
| MATERIAL: CRCA | | DRAWN | VIGNESH | 07-09-2020 | | | | | | | | | | | | | | | | | | | | | | | | | |
| WEIGHT: 1484.84G | | THK: 1.5MM | CHK'D | VS | | | | | | | | | | | | | | | | | | | | | | | | | |
| FINISH: SEE NOTES | | APPV'D | AK | | TITLE: MIDDLE PLATE-01 | | | | | | | | | | | | | | | | | | | | | | | | |
| TOLERANCES UNLESS OTHERWISE SPECIFIED | | | STATUS: REV 00 | | | | | | | | | | | | | | | | | | | | | | | | | | |
| <table border="1"> <thead> <tr> <th colspan="8">LINEAR DIMENSION</th> </tr> <tr> <th>0.5-3</th> <th>3-6</th> <th>6-30</th> <th>30-120</th> <th>120-400</th> <th>400-1000</th> <th>1000-2000</th> <th>2000-4000</th> </tr> </thead> <tbody> <tr> <td>±0.5</td> <td>±0.5</td> <td>±1</td> <td>±2</td> <td>±3</td> <td>±4</td> <td>±5</td> <td>±10</td> </tr> </tbody> </table> | | | | | | LINEAR DIMENSION | | | | | | | | 0.5-3 | 3-6 | 6-30 | 30-120 | 120-400 | 400-1000 | 1000-2000 | 2000-4000 | ±0.5 | ±0.5 | ±1 | ±2 | ±3 | ±4 | ±5 | ±10 |
| LINEAR DIMENSION | | | | | | | | | | | | | | | | | | | | | | | | | | | | | |
| 0.5-3 | 3-6 | 6-30 | 30-120 | 120-400 | 400-1000 | 1000-2000 | 2000-4000 | | | | | | | | | | | | | | | | | | | | | | |
| ±0.5 | ±0.5 | ±1 | ±2 | ±3 | ±4 | ±5 | ±10 | | | | | | | | | | | | | | | | | | | | | | |
| <table border="1"> <thead> <tr> <th colspan="4">ANGLER DIMENSION</th> <th colspan="4">EXTERNAL RADII & CH</th> </tr> <tr> <th>0-10</th> <th>10-50</th> <th>50-120</th> <th>120-400</th> <th>OVER 400</th> <th>0.5 - 3</th> <th>3 - 6</th> <th>OVER 6</th> </tr> </thead> <tbody> <tr> <td>±1°</td> <td>±0.30°</td> <td>±0.30°</td> <td>±0.10°</td> <td>±0.5°</td> <td>±0.2</td> <td>±0.5</td> <td>±1</td> </tr> </tbody> </table> | | | | | | ANGLER DIMENSION | | | | EXTERNAL RADII & CH | | | | 0-10 | 10-50 | 50-120 | 120-400 | OVER 400 | 0.5 - 3 | 3 - 6 | OVER 6 | ±1° | ±0.30° | ±0.30° | ±0.10° | ±0.5° | ±0.2 | ±0.5 | ±1 |
| ANGLER DIMENSION | | | | EXTERNAL RADII & CH | | | | | | | | | | | | | | | | | | | | | | | | | |
| 0-10 | 10-50 | 50-120 | 120-400 | OVER 400 | 0.5 - 3 | 3 - 6 | OVER 6 | | | | | | | | | | | | | | | | | | | | | | |
| ±1° | ±0.30° | ±0.30° | ±0.10° | ±0.5° | ±0.2 | ±0.5 | ±1 | | | | | | | | | | | | | | | | | | | | | | |
| THIRD ANGLE PROJECTION: | | | | | | | | | | | | | | | | | | | | | | | | | | | | | |
| DWG NO: RCAB0000R0-01-04_01 | | SIZE: A3 | | 6 OF 14 | | | | | | | | | | | | | | | | | | | | | | | | | |
| 1:5 | | 6 OF 14 | | | | | | | | | | | | | | | | | | | | | | | | | | | |