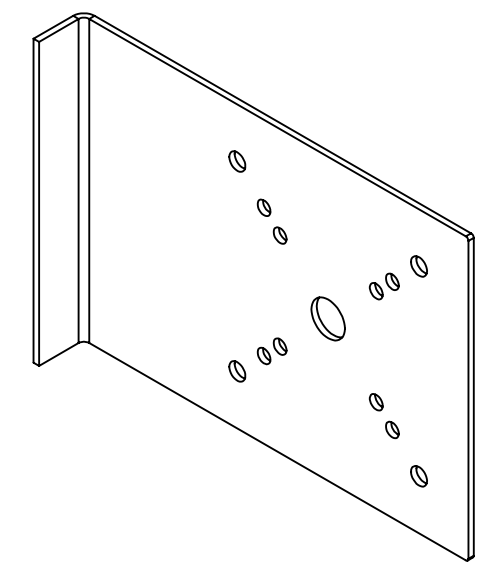
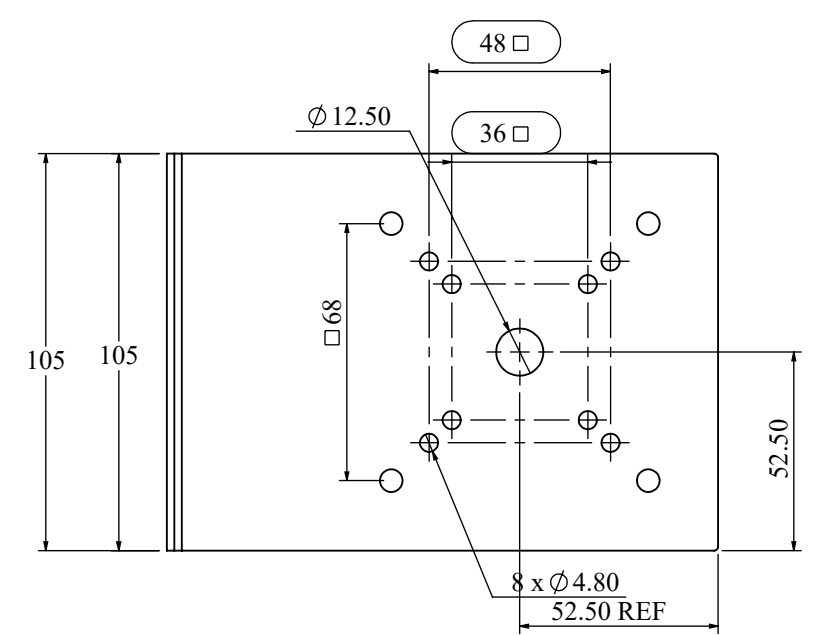
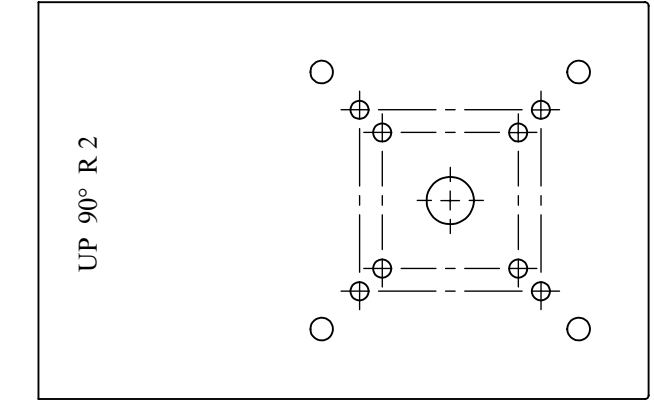
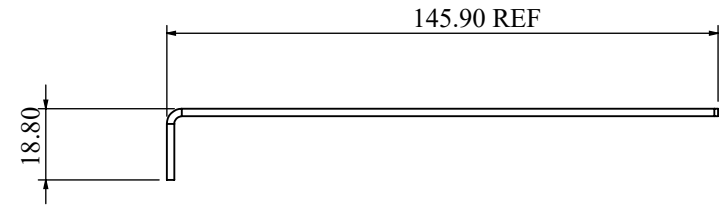


REVISIONS					
REV	DESCRIPTION	DRN	CHK	APPD	DATE
REV 01	SIZE	AJ			25.02.2019



- NOTES - UNLESS OTHERWISE SPECIFIED:
1. FINISH: POWDER COATED - FRAME - 7035, ALL COVERS - 7016 (TEXTURE)
 2. DIMENSIONS ARE TO BE INTERPRETED AS PER ASME Y14.5M - 1994.
 3. ALL DIMENSIONS APPLY AFTER FINISHING.
 4. PART TO BE CLEAN AND FREE OF ALL SHARP EDGES BURRS, CHIPS, SHAVINGS AND OILS BOTH INTERNALLY AND EXTERNALLY.
 5. ALL BEND RADIUS AND RELIEFS TO BE MINIMUM.
 6. ALL DIMENSIONS ARE IN MM.
 7. UNLESS OTHERWISE SPECIFIED DIMENSIONS REFER DXF DRAWING.

SUPERSEDES:		NAME	DATE/SIGN
MATERIAL: CRCA		DRAWN	SUDHAGAR 08.10.2024
WEIGHT: 260.11G	THK: 2 2MM	CHK'D	
FINISH: SEE NOTES		APPV'D	BALRAM
TOLERANCES UNLESS OTHERWISE SPECIFIED		STATUS: REV 01	
LINEAR DIMENSION			
0.5-3	3-6	6-30	30-120
120-400	400-1000	1000-2000	2000-4000
± 0.5	± 0.5	± 1	± 2
± 3	± 4	± 5	± 10
ANGULAR DIMENSION		EXTERNAL RADII & CH	
0-10	10-50	50-120	120-400
OVER 400	0.5 - 3	3 - 6	OVER 6
$\pm 1^\circ$	$\pm 0.30^\circ$	$\pm 0.30^\circ$	$\pm 0.10^\circ$
$\pm 0.5^\circ$	± 0.2	± 0.5	± 1
THIRD ANGLE PROJECTION:			

Fuji Electric

DOC TYPE: MECHANICAL DRAWING

PRODUCT: CAB 15KVA SCVS 3PH,LMW

TITLE: BY PASS PLATE

DWG NO: RCAB02378R1-01-00_05

SIZE: A3

1:2

9 OF 30